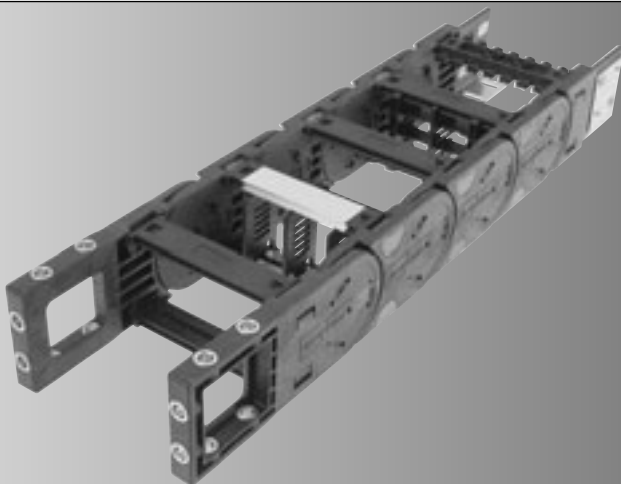


CABLE DRAG CHAIN SYSTEMS



PowerLine

MP 52.2



MP 52.2 - PowerLine 2nd generation

Order variants

Style (order code)									
Configuration (order code)									
Radius (order code)									
in mm									
Internal width (order code)									
in mm									
External width									
in mm									
MP52.2 045	77	45	045						
MP52.2 062	94	62	062						
MP52.2 071	103	71	071						
MP52.2 084	116	84	084						
MP52.2 096	128	96	096						
MP52.2 107	139	107	107						
MP52.2 121	153	121	121						
MP52.2 144	176	144	144						
MP52.2 146	178	146	146						
MP52.2 171	203	171	171						
MP52.2 182	214	182	182						
MP52.2 196	228	196	196						
MP52.2 220	252	220	220						
MP52.2 246	278	246	246					0	
MP52.2 296	328	296	296					1	
MP52.2 346	378	346	346					2	
MP52.2 396	428	396	396	100	100			3	
MP52.2 446	478	446	446	150	150			4	
MP52.2 496	528	496	496	200	200			5	
MP52.2 546	578	546	546	250	250			6	0
MP52.2 999	Inside	>80-		300	300			7	7
	+ 32	600	ALU	350	350			9	9

Order number:	0522			0			0
----------------------	------	--	--	---	--	--	---

Configuration:

- 0 crossbar every link; w/bias
- 1 crossbar every link; w/o bias
- 2 crossbar EOL; w/bias
- 3 crossbar EOL; w/o bias
- 4 AL crossbar every link; w/bias
- 5 AL crossbar every link; w/o bias
- 6 AL crossbar EOL; w/bias
- 7 AL crossbar EOL; w/o bias
- 9 Customer order

Style:

- 0 Standard (PA)
- 7 ESD (PA)
- 9 Special version

Sample order

0522 045 100 0000

Inside width = 45 mm

Radius = 100 mm

Configuration = 0

Style = 0

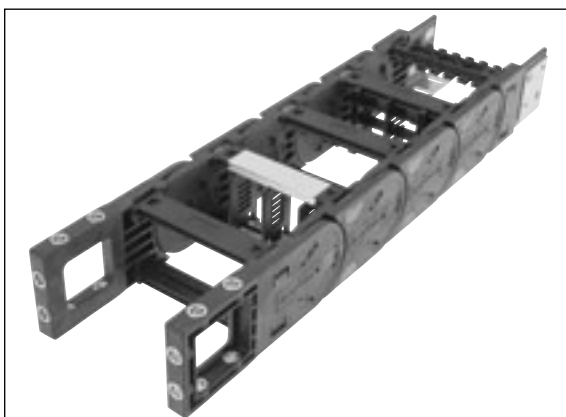
Ideal operating conditions

- Extreme accelerations
- Extreme speeds
- Very high additional loads
- Opens on both sides
- Variable widths thanks to aluminium ridge
- Flexible internal separation
- Variant with/without bias

Alternative chain type

- MP 65 G closed series
- MP 66 easier to use
- MP 52.1 higher unsupported length

Features



Chain bracket with fixing means on three sides



Chain bracket with variably positionable metal bracket



Frame ridge strain relief can be integrated into chain bracket



Frame ridges / covers in inside and outside bend can be removed



Side links with CLICK lock for easy opening



Radii with or without bias (RK/RV)



ESD cable drag chains for use in areas at risk of explosion



Back radius combinations



Aluminium frame ridges with integrated lock grid in variable lengths

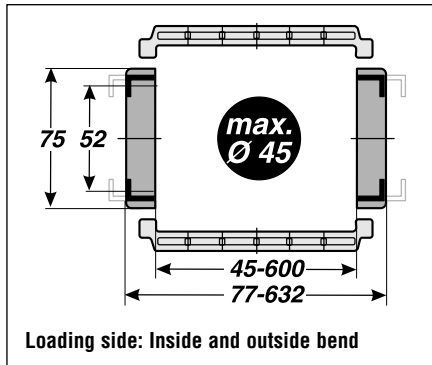


Foldable shelf system for reliable cable guidance

MP 52.2 - PowerLine 2nd generation

Technical data

Chain link dimensions



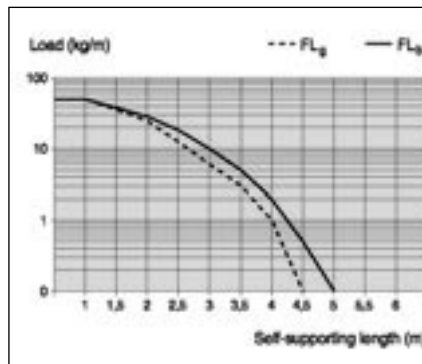
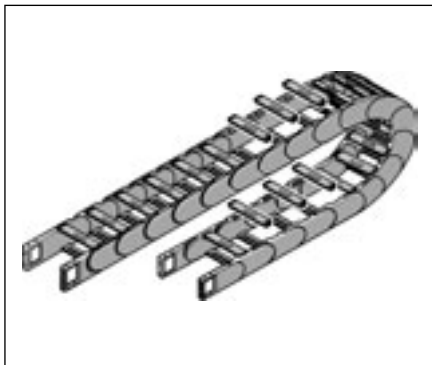
Material properties

Service temperature: -30 to +120 °C
 Gliding friction factor: 0.30
 Static friction factor: 0.45
 Fire classification: in conformity with UL94 HB
 ESD material: CE Ex II 2 GD
 Other material properties on request

Technical specifications

Travel distance, gliding, L_g : 150 m
 Travel distance, self-supporting, L_s : see diagram
 Travel distance, vertical, hanging, L_{vh} : 100 m
 Travel distance, vertical, upright, L_{vu} : 6 m
 Rotated 90°, self-supporting, L_{sg} : 2 m
 Speed, gliding, V_g : 5 m/s
 Speed, self-supporting, V_s : 20 m/s
 Acceleration, gliding, a_g : 25 m/s²
 Acceleration, self-supporting, a_s : 30 m/s²

Unsupported length

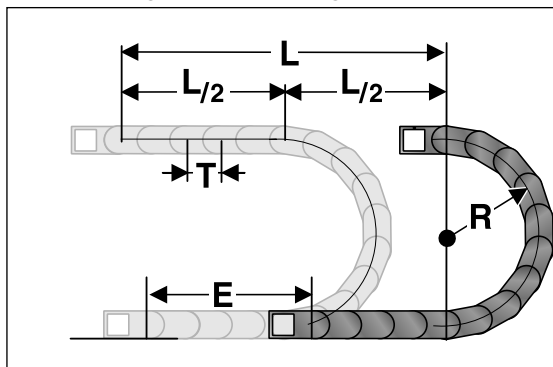


FL_g:
 Ideal installation situation for high stresses at the limit of the max. travel parameters. In this range the chain upper run is still biased, straight or has a max. sag of 10 – 50 mm depending on the type of chain.

FL_s:
 Satisfactory installation position for many applications working in the lower to middle range of the max. travel parameters. Depending on the chain type, the sag of the chain upper run is > 10 – 50 mm but less than the max. sag.

If the sag is greater than FL_s, the arrangement is unsuitable and should be avoided. Please choose a more stable murrplastik cable drag chain.

Determining the chain length



L = Travel distance
 R = Radius
 T = Pitch
 E = Distance between entry point and middle of travel distance

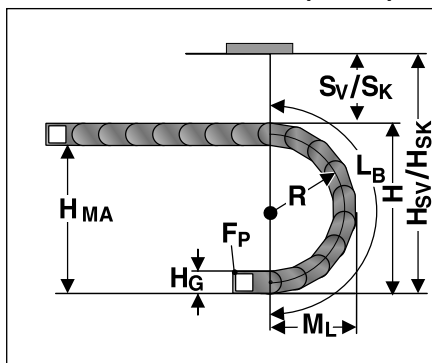
Determining the chain length

$$\text{Length} = \frac{L}{2} + \pi \times R + E$$

≈ 1 m chain = 11 x 91 mm links

The fixed point of the cable drag chain should be connected in the middle of the travel distance. This arrangement gives the shortest connection between the fixed point and the moving consumer and thus the most efficient chain length.

Installation dimensions (in mm)

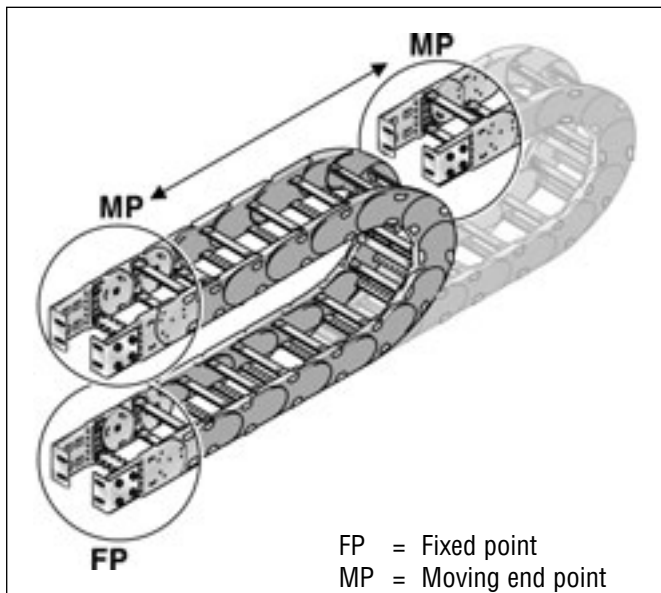


Radius R	100	150	200	250	300	350
Outside height of chain link (H_c)	74	74	74	74	74	74
Height of bend (H)	274	374	474	574	674	774
Height of moving end connection (H_{MA})	200	300	400	500	600	700
Safety margin with bias (S_v)	46	46	46	46	46	46
Installation height with bias (H_{sv})	320	420	520	620	720	820
Safety margin without bias (S_k)	16	16	16	16	16	16
Installation height without bias (H_{sk})	290	390	490	590	690	790
Arc projection (M_l)	228	278	328	378	428	478
Bend length (L_b)	521	678	835	992	1149	1306

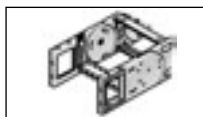


MP 52.2 - PowerLine 2nd generation

Chain bracket



Chain bracket flexible



Flexible

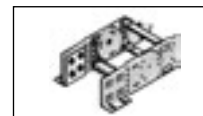
Chain bracket elbow fitting



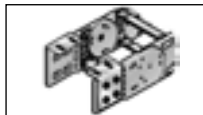
Top / outside



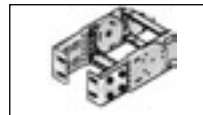
Front / outside



Bottom / outside



Top / inside

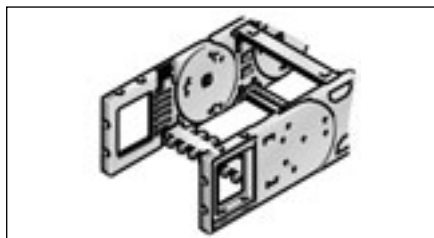


Front / inside



Bottom / inside

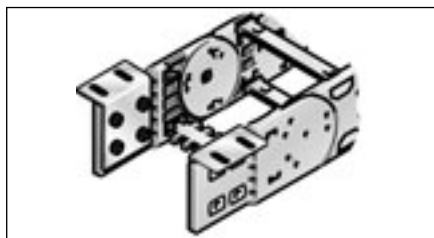
Chain bracket flexible



Type	Order no.	Version	Pack
KA 52.1-FB Female end	0521000056	with bush	1
KA 52.1-FB Male end	0521000057	with bush	1
KA 52.1-FG Female end	0521000058	with thread	1
KA 52.1-FG Male end	0521000059	with thread	1

This chain bracket offers universal connection options (top, bottom and front) and is attached to the ends of the chain like a side link. This allows the chain to move right up to the bracket. Each chain requires one male and one female bracket. M8 screws are used to secure the brackets in place. Extrusion coated metal bushes with either a through-hole (-FB) or a threaded hole (-FG) ensure the permanent, high-strength transmission of even extreme forces onto the cable drag chain.

Chain bracket elbow fitting



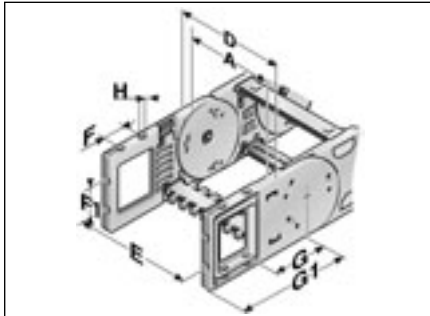
Type	Order no.	Pack
KA 52.1 Female end	0521000050	1
KA 52.1 Male end	0521000051	1

This chain bracket offers universal connection options (top, bottom and front) and is attached to the ends of the chain like a side link. This allows the chain to move right up to the bracket. Each chain requires one male and one female bracket. M6 screws are used to secure the brackets in place.

MP 52.2 - PowerLine 2nd generation

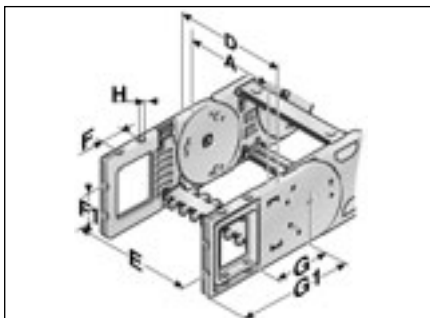
Chain bracket flexible

Dimensions in mm



Flexible with through-hole

Type	A	D	E	F	F1	G	G1	H Ø
KA 52.1-FB	45.00	81.00	61.00	35.00	30.00	89.00	144.00	8.50
KA 52.1-FB	62.00	98.00	78.00	35.00	30.00	89.00	144.00	8.50
KA 52.1-FB	71.00	107.00	87.00	35.00	30.00	89.00	144.00	8.50
KA 52.1-FB	84.00	120.00	100.00	35.00	30.00	89.00	144.00	8.50
KA 52.1-FB	96.00	132.00	112.00	35.00	30.00	89.00	144.00	8.50
KA 52.1-FB	107.00	143.00	123.00	35.00	30.00	89.00	144.00	8.50
KA 52.1-FB	121.00	157.00	137.00	35.00	30.00	89.00	144.00	8.50
KA 52.1-FB	144.00	180.00	160.00	35.00	30.00	89.00	144.00	8.50
KA 52.1-FB	146.00	182.00	162.00	35.00	30.00	89.00	144.00	8.50
KA 52.1-FB	171.00	207.00	187.00	35.00	30.00	89.00	144.00	8.50
KA 52.1-FB	182.00	218.00	198.00	35.00	30.00	89.00	144.00	8.50
KA 52.1-FB	196.00	232.00	212.00	35.00	30.00	89.00	144.00	8.50
KA 52.1-FB	220.00	256.00	236.00	35.00	30.00	89.00	144.00	8.50
KA 52.1-FB	246.00	282.00	262.00	35.00	30.00	89.00	144.00	8.50
KA 52.1-FB	296.00	332.00	312.00	35.00	30.00	89.00	144.00	8.50
KA 52.1-FB	346.00	382.00	362.00	35.00	30.00	89.00	144.00	8.50
KA 52.1-FB	396.00	432.00	412.00	35.00	30.00	89.00	144.00	8.50
KA 52.1-FB	446.00	482.00	462.00	35.00	30.00	89.00	144.00	8.50
KA 52.1-FB	496.00	532.00	512.00	35.00	30.00	89.00	144.00	8.50
KA 52.1-FB	546.00	582.00	562.00	35.00	30.00	89.00	144.00	8.50
KA 52.1-FB	Variable	A+36.00	A+16.00	35.00	30.00	89.00	144.00	8.50



Flexible with threaded bush

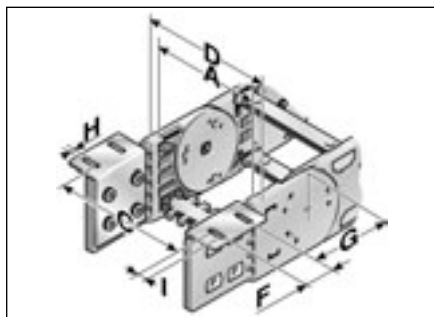
Type	A	D	E	F	F1	G	G1	H
KA 52.1-FG	45.00	81.00	61.00	35.00	30.00	89.00	144.00	M8
KA 52.1-FG	62.00	98.00	78.00	35.00	30.00	89.00	144.00	M8
KA 52.1-FG	71.00	107.00	87.00	35.00	30.00	89.00	144.00	M8
KA 52.1-FG	84.00	120.00	100.00	35.00	30.00	89.00	144.00	M8
KA 52.1-FG	96.00	132.00	112.00	35.00	30.00	89.00	144.00	M8
KA 52.1-FG	107.00	143.00	123.00	35.00	30.00	89.00	144.00	M8
KA 52.1-FG	121.00	157.00	137.00	35.00	30.00	89.00	144.00	M8
KA 52.1-FG	144.00	180.00	160.00	35.00	30.00	89.00	144.00	M8
KA 52.1-FG	146.00	182.00	162.00	35.00	30.00	89.00	144.00	M8
KA 52.1-FG	171.00	207.00	187.00	35.00	30.00	89.00	144.00	M8
KA 52.1-FG	182.00	218.00	198.00	35.00	30.00	89.00	144.00	M8
KA 52.1-FG	196.00	232.00	212.00	35.00	30.00	89.00	144.00	M8
KA 52.1-FG	220.00	256.00	236.00	35.00	30.00	89.00	144.00	M8
KA 52.1-FG	246.00	282.00	262.00	35.00	30.00	89.00	144.00	M8
KA 52.1-FG	296.00	332.00	312.00	35.00	30.00	89.00	144.00	M8
KA 52.1-FG	346.00	382.00	362.00	35.00	30.00	89.00	144.00	M8
KA 52.1-FG	396.00	432.00	412.00	35.00	30.00	89.00	144.00	M8
KA 52.1-FG	446.00	482.00	462.00	35.00	30.00	89.00	144.00	M8
KA 52.1-FG	496.00	532.00	512.00	35.00	30.00	89.00	144.00	M8
KA 52.1-FG	546.00	582.00	562.00	35.00	30.00	89.00	144.00	M8
KA 52.1-FG	Variable	A+36.00	A+16.00	35.00	30.00	89.00	144.00	M8



MP 52.2 - PowerLine 2nd generation

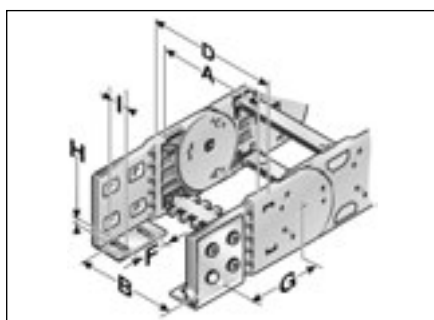
Chain bracket elbow fitting

Dimensions in mm



Bottom and top / outside

Type	A	C	D	F	G	H Ø	I
KA 52.1	45.00	79.50	77.00	32.00	95.50	6.50	14.00
KA 52.1	62.00	96.50	94.00	32.00	95.50	6.50	14.00
KA 52.1	71.00	105.50	103.00	32.00	95.50	6.50	14.00
KA 52.1	84.00	118.50	116.00	32.00	95.50	6.50	14.00
KA 52.1	96.00	130.50	128.00	32.00	95.50	6.50	14.00
KA 52.1	107.00	141.50	139.00	32.00	95.50	6.50	14.00
KA 52.1	121.00	155.50	153.00	32.00	95.50	6.50	14.00
KA 52.1	144.00	178.50	176.00	32.00	95.50	6.50	14.00
KA 52.1	146.00	180.50	178.00	32.00	95.50	6.50	14.00
KA 52.1	171.00	205.50	203.00	32.00	95.50	6.50	14.00
KA 52.1	182.00	216.50	214.00	32.00	95.50	6.50	14.00
KA 52.1	196.00	230.50	228.00	32.00	95.50	6.50	14.00
KA 52.1	220.00	254.50	252.00	32.00	95.50	6.50	14.00
KA 52.1	246.00	280.50	278.00	32.00	95.50	6.50	14.00
KA 52.1	296.00	330.50	328.00	32.00	95.50	6.50	14.00
KA 52.1	346.00	380.50	378.00	32.00	95.50	6.50	14.00
KA 52.1	396.00	430.50	428.00	32.00	95.50	6.50	14.00
KA 52.1	446.00	480.50	478.00	32.00	95.50	6.50	14.00
KA 52.1	496.00	530.50	528.00	32.00	95.50	6.50	14.00
KA 52.1	546.00	580.50	578.00	32.00	95.50	6.50	14.00
KA 52.1	Variable	A+34.50	A+32.00	32.00	95,50	6.50	14.00



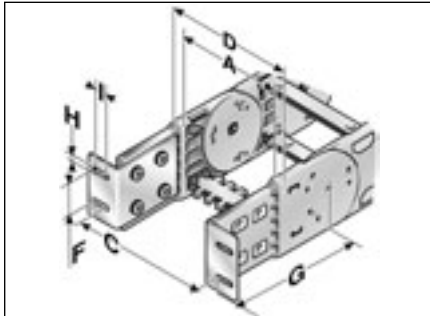
Bottom and top / inside

Type	A	B	D	F	G	H Ø	I
KA 52.1	45.00	42.50	77.00	32.00	95.50	6.50	14.00
KA 52.1	62.00	59.50	94.00	32.00	95.50	6.50	14.00
KA 52.1	71.00	68.50	103.00	32.00	95.50	6.50	14.00
KA 52.1	84.00	81.50	116.00	32.00	95.50	6.50	14.00
KA 52.1	96.00	93.50	128.00	32.00	95.50	6.50	14.00
KA 52.1	107.00	104.50	139.00	32.00	95.50	6.50	14.00
KA 52.1	121.00	118.50	153.00	32.00	95.50	6.50	14.00
KA 52.1	144.00	141.50	176.00	32.00	95.50	6.50	14.00
KA 52.1	146.00	143.50	178.00	32.00	95.50	6.50	14.00
KA 52.1	171.00	168.50	203.00	32.00	95.50	6.50	14.00
KA 52.1	182.00	179.50	214.00	32.00	95.50	6.50	14.00
KA 52.1	196.00	193.50	228.00	32.00	95.50	6.50	14.00
KA 52.1	220.00	217.50	252.00	32.00	95.50	6.50	14.00
KA 52.1	246.00	243.50	278.00	32.00	95.50	6.50	14.00
KA 52.1	296.00	293.50	328.00	32.00	95.50	6.50	14.00
KA 52.1	346.00	343.50	378.00	32.00	95.50	6.50	14.00
KA 52.1	396.00	393.50	428.00	32.00	95.50	6.50	14.00
KA 52.1	446.00	443.50	478.00	32.00	95.50	6.50	14.00
KA 52.1	496.00	493.50	528.00	32.00	95.50	6.50	14.00
KA 52.1	546.00	543.50	578.00	32.00	95.50	6.50	14.00
KA 52.1	Variable	A-2.50	A+32.00	32.00	95.50	6.50	14.00

MP 52.2 - PowerLine 2nd generation

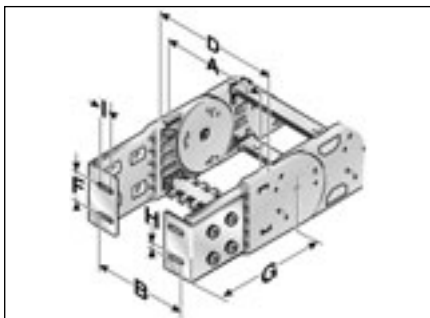
Chain bracket elbow fitting

Dimensions in mm



Front / outside

Type	A	C	D	F	G	H Ø	I
KA 52.1	45.00	79.50	77.00	32.00	149.00	6.50	14.00
KA 52.1	62.00	96.50	94.00	32.00	149.00	6.50	14.00
KA 52.1	71.00	105.50	103.00	32.00	149.00	6.50	14.00
KA 52.1	84.00	118.50	116.00	32.00	149.00	6.50	14.00
KA 52.1	96.00	130.50	128.00	32.00	149.00	6.50	14.00
KA 52.1	107.00	141.50	139.00	32.00	149.00	6.50	14.00
KA 52.1	121.00	155.50	153.00	32.00	149.00	6.50	14.00
KA 52.1	144.00	178.50	176.00	32.00	149.00	6.50	14.00
KA 52.1	146.00	180.50	178.00	32.00	149.00	6.50	14.00
KA 52.1	171.00	205.50	203.00	32.00	149.00	6.50	14.00
KA 52.1	182.00	216.50	214.00	32.00	149.00	6.50	14.00
KA 52.1	196.00	230.50	228.00	32.00	149.00	6.50	14.00
KA 52.1	220.00	254.50	252.00	32.00	149.00	6.50	14.00
KA 52.1	246.00	280.50	278.00	32.00	149.00	6.50	14.00
KA 52.1	296.00	330.50	328.00	32.00	149.00	6.50	14.00
KA 52.1	346.00	380.50	378.00	32.00	149.00	6.50	14.00
KA 52.1	396.00	430.50	428.00	32.00	149.00	6.50	14.00
KA 52.1	446.00	480.50	478.00	32.00	149.00	6.50	14.00
KA 52.1	496.00	530.50	528.00	32.00	149.00	6.50	14.00
KA 52.1	546.00	580.50	578.00	32.00	149.00	6.50	14.00
KA 52.1	Variable	A+34.50	A+32.00	32.00	149.00	6.50	14.00



Front / inside

Type	A	B	D	F	G	H Ø	I
KA 52.1	45.00	42.50	77.00	32.00	149.00	6.50	14.00
KA 52.1	62.00	59.50	94.00	32.00	149.00	6.50	14.00
KA 52.1	71.00	68.50	103.00	32.00	149.00	6.50	14.00
KA 52.1	84.00	81.50	116.00	32.00	149.00	6.50	14.00
KA 52.1	96.00	93.50	128.00	32.00	149.00	6.50	14.00
KA 52.1	107.00	104.50	139.00	32.00	149.00	6.50	14.00
KA 52.1	121.00	118.50	153.00	32.00	149.00	6.50	14.00
KA 52.1	144.00	141.50	176.00	32.00	149.00	6.50	14.00
KA 52.1	146.00	143.50	178.00	32.00	149.00	6.50	14.00
KA 52.1	171.00	168.50	203.00	32.00	149.00	6.50	14.00
KA 52.1	182.00	179.50	214.00	32.00	149.00	6.50	14.00
KA 52.1	196.00	193.50	228.00	32.00	149.00	6.50	14.00
KA 52.1	220.00	217.50	252.00	32.00	149.00	6.50	14.00
KA 52.1	246.00	243.50	278.00	32.00	149.00	6.50	14.00
KA 52.1	296.00	293.50	328.00	32.00	149.00	6.50	14.00
KA 52.1	346.00	343.50	378.00	32.00	149.00	6.50	14.00
KA 52.1	396.00	393.50	428.00	32.00	149.00	6.50	14.00
KA 52.1	446.00	443.50	478.00	32.00	149.00	6.50	14.00
KA 52.1	496.00	493.50	528.00	32.00	149.00	6.50	14.00
KA 52.1	546.00	543.50	578.00	32.00	149.00	6.50	14.00
KA 52.1	Variable	A-2.50	A+32.00	32.00	149.00	6.50	14.00



MP 52.2 - Accessories

Separator



Separator

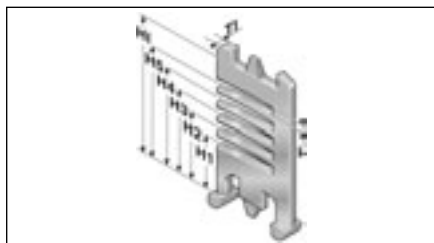
Type	Order no.	Description	Pack
TR 52.1	052100009200	TR 52.1 Separator	1

Lock grid spacing 5.60 mm

We recommend that separators are used if multiple round cables or conduits with differing diameters are to be installed.
An offset configuration of the separators is advisable.

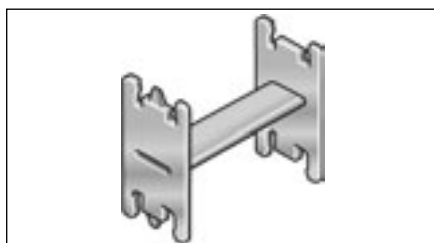
Type	Dimensions in mm							
	TI	H	H1	H2	H3	H4	H5	HI

TR 52.1	3.50	4.00	15.60	22.00	28.20	34.60	41.00	52.00
---------	------	------	-------	-------	-------	-------	-------	-------



Separator

H-shaped shelf unit



H-shaped shelf unit

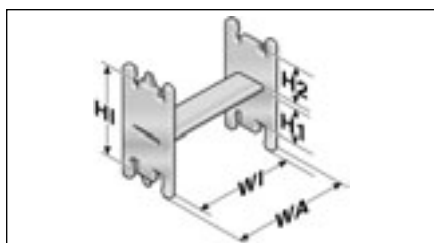
Type	Order no.	Description	Pack
RE 36/17	100000361714	RE 36/17 Shelf unit, H-shaped	1
RE 59/24	100000592414	RE 59/24 Shelf unit, H-shaped	1
RE 81/12	100000811214	RE 81/12 Shelf unit, H-shaped	1

Lock grid spacing 5.60 mm

Insert to obtain additional levels in pre-defined distances.

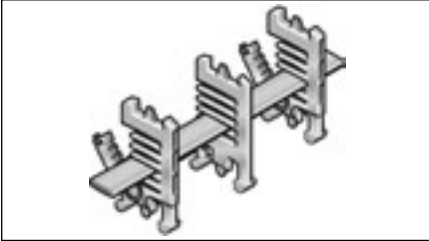
Type	Dimensions in mm				
	WA	WI	H1	H2	HI

RE 36/17	42.50	36.50	31.00	17.40	52.00
RE 59/24	65.00	59.00	24.20	24.20	52.00
RE 81/12	87.50	81.50	36.00	12.40	52.00



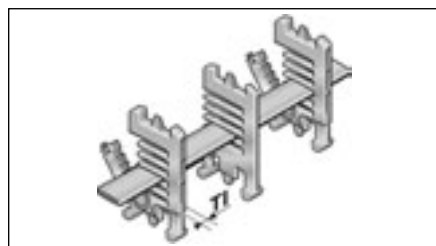
H-shaped shelf unit

MP 52.2 - Accessories

Shelving system	Type	Order no.	Description	Width in mm	Pack
	RB 196-5	100000019600	RB 196-5 Shelf	196	1
	RTT 52	100090522000	RTT 52.1 Shelf support, divisible		1
Lock grid spacing 5.60 mm					

Shelving system

In connection with at least two shelf supports (RTT) the shelf becomes a shelving system. The additional levels prevent cables from criss-crossing and therefore destroying each other, whilst also avoiding excessive friction. Pre-assembly is not necessary as the shelf system and cabling can be assembled quickly and easily on site.



Shelving system

Type	TI	Dimensions in mm
RTT 52	7.00	

Frame ridge connector	Type	Order no.	Description	Pack
-----------------------	------	-----------	-------------	------



Frame ridge connector

RSV 52	052000009600	RSV 52 Frame ridge connector	1
RSV 52 A	052000009800	RSV 52 Aluminium frame ridge connector	1

For frame ridges wider than 246 mm, we recommend the use of frame ridge connectors. These prevent deformation to the frame ridge under large amounts of additional weight of the chain assembly.

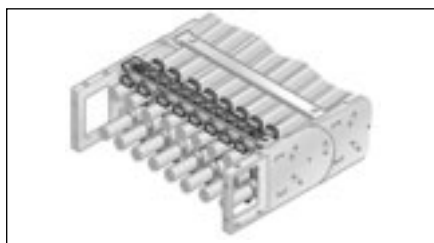


Type	TI	Dimensions in mm
RSV 52	7.50	



MP 52.2 - Accessories

Strain relief RS-ZL

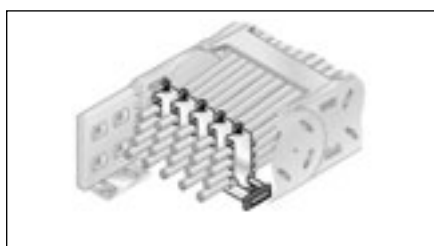


Strain relief RS-ZL

Type	Order no.	for inside width	Pack
RS-ZL 045-5	052004500010	45 mm	1
RS-ZL 062-5	052006200010	62 mm	1
RS-ZL 071-5	052007100010	71 mm	1
RS-ZL 084-5	052008400010	84 mm	1
RS-ZL 096-5	052009600010	96 mm	1
RS-ZL 107-5	052010700010	107 mm	1
RS-ZL 121-5	052012100010	121 mm	1
RS-ZL 144-5	052014400010	144 mm	1
RS-ZL 171-5	052017100010	171 mm	1
RS-ZL 182-5	052018200010	182 mm	1
RS-ZL 196-5	052019600010	196 mm	1
RS-ZL 220-5	052022000010	220 mm	1
RS-ZL 246-5	052024600010	246 mm	1

Frame ridge strain relief plates that can be permanently integrated in the chain brackets. Tailored to all frame ridge widths up to 246 mm. May be mounted on the inside and outside bend at both ends of the chain.

Strain relief with BAK



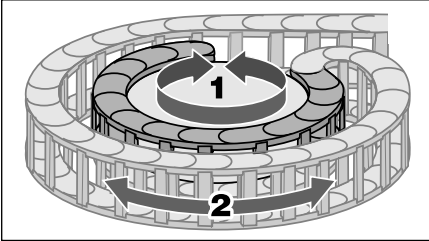
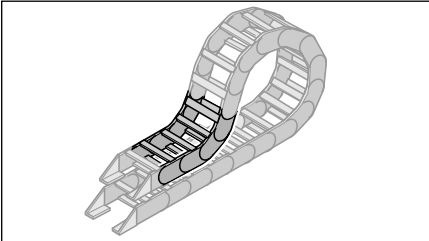
Strain relief with hooped clamps

Type	Order no.	Description	Ø in mm	Pack
C-rail	81661610	C-profile rail		1
BAK 14	81661002	BAK 14 Hooped clamp	6-14	1
BAK 18	81661004	BAK 18 Hooped clamp	14-18	1
BAK 22	81661006	BAK 22 Hooped clamp	18-22	1
BAK 26	81661008	BAK 26 Hooped clamp	22-26	1
BAK 30	81661010	BAK 30 Hooped clamp	26-30	1
BAK 14/2	81661012	BAK 14/2 Hooped clamp	10-14	1
BAK 18/2	81661014	BAK 18/2 Hooped clamp	14-18	1
BAK 22/2	81661016	BAK 22/2 Hooped clamp	18-22	1
BAK 26/2	81661018	BAK 26/2 Hooped clamp	22-26	1
BAK 12/3	81661020	BAK 12/3 Hooped clamp	9-12	1
BAK 14/3	81661022	BAK 14/3 Hooped clamp	12-14	1
BAK 16/3	81661024	BAK 16/3 Hooped clamp	14-16	1
BAK 18/3	81661026	BAK 18/3 Hooped clamp	16-18	1
BAK 20/3	81661028	BAK 20/3 Hooped clamp	18-20	1
BAK 22/3	81661030	BAK 22/3 Hooped clamp	20-22	1

Strain relief plates that can be permanently integrated in the chain brackets. Available in all widths (including individual widths in aluminium frame ridges). May be mounted on the inside and outside bend at both ends of the chain. The chain configuration can be fixed using hooped clamps that are available in different sizes. Material: Galvanised steel

Please indicate chain type and inside width when ordering.

MP 52.2 - Accessories

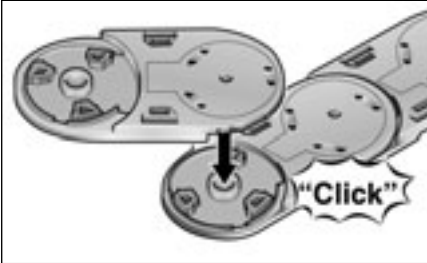
Back radius	Type	Order no.	Radius	Back Radius	Pack
 <p>Rotary movement</p>  <p>Low-lying chain bracket</p>	SR 52.2 (RÜ200/R135) left	52200010060	135 mm	200 mm	1
	SR 52.2 (RÜ200/R135) right	52200010062	135 mm	200 mm	1
	SR 52.2 (RÜ200/R170) left	52200015060	170 mm	200 mm	1
	SR 52.2 (RÜ200/R170) right	52200015062	170 mm	200 mm	1
	SR 52.2 (RÜ200/R200) left	52200020060	200 mm	200 mm	1
	SR 52.2 (RÜ200/R200) right	52200020062	200 mm	200 mm	1
	SR 52.2 (RÜ200/R250) left	52200025060	250 mm	200 mm	1
	SR 52.2 (RÜ200/R250) right	52200025062	250 mm	200 mm	1
	SR 52.2 (RÜ200/R300) left	52200030060	300 mm	200 mm	1
	SR 52.2 (RÜ200/R300) right	52200030062	300 mm	200 mm	1
	SR 52.2 (RÜ200/R350) left	52200035060	350 mm	200 mm	1
	SR 52.2 (RÜ200/R350) right	52200035062	350 mm	200 mm	1

Side links with forward radius (R) and back radius (Rü) permit movement in two directions. Areas of application include rotary movements and low-lying chain brackets. Please note the different side links for the left and right side run!

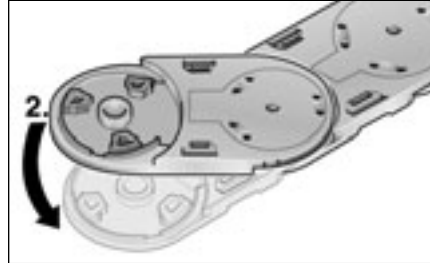


MP 52.2 - PowerLine 2nd generation

Assembly

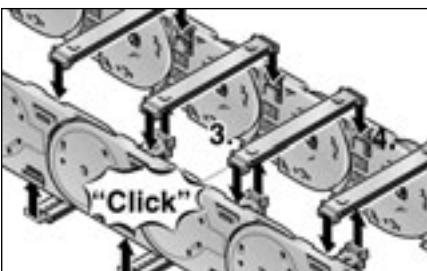


Step 1

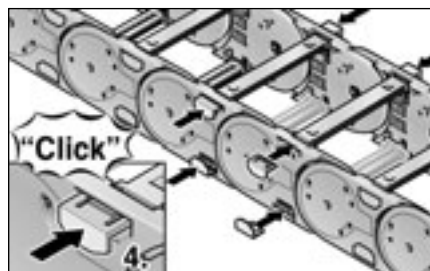


Step 2

The heavy-duty connection between the frame ridge and side wall has a positive fit. Both ends of the frame ridges are introduced evenly into the slots in the side links. The ridges are held secure by pressing in the frame ridge locks. Forces are transmitted solely through the slots on the ridge end or side link.

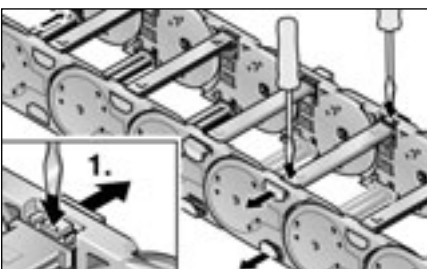


Step 3

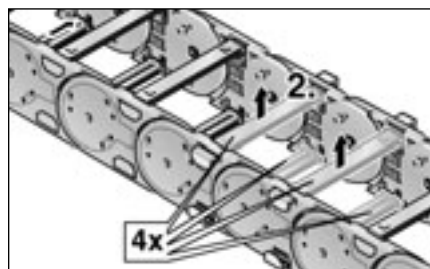


Step 4

Disassembly

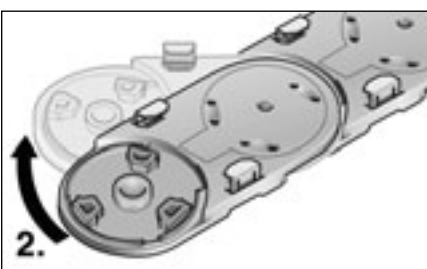


Step 1

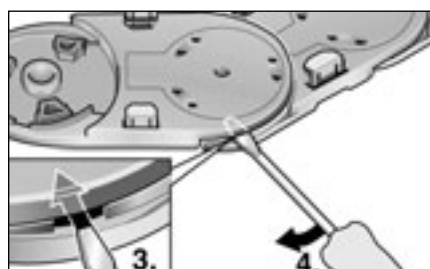


Step 2

Disassembly is effected in the reverse sequence to assembly. Loosen the locks until the frame ridges are released.



Step 3



Step 4