
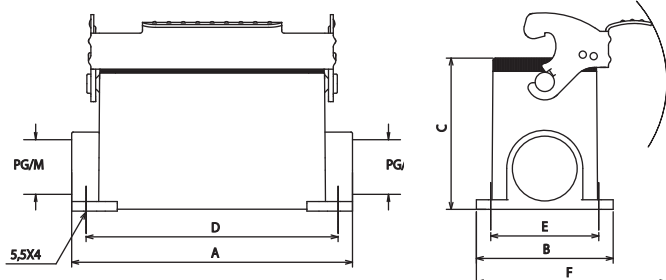


Surface mounting housings Custodie da parete		Size Grandezza	Thread Filettatura	No. of poles No. poli §	Part No. Codice																																																								
		6B "44 x 27"	M 20	6	7806.6351.0																																																								
		6B "44 x 27"	M 20X2	6	7806.6352.0																																																								
		6B "44 x 27"	Pg 16	6	7806.6301.0																																																								
		6B "44 x 27"	Pg 16X2	6	7806.6302.0																																																								
		10B "57 x 27"	M 20	10	7810.6353.0																																																								
		10B "57 x 27"	M 20X2	10	7810.6354.0																																																								
		10B "57 x 27"	Pg 16	10	7810.6303.0																																																								
		10B "57 x 27"	Pg 16X2	10	7810.6304.0																																																								
		16B "77 x 27"	M 25	16	7816.6355.0																																																								
		16B "77 x 27"	M 25X2	16	7816.6356.0																																																								
		16B "77 x 27"	Pg 21	16	7816.6305.0																																																								
		16B "77 x 27"	Pg 21X2	16	7816.6306.0																																																								
				24B "104 x 27"	M 25	24	7824.6357.0																																																						
				24B "104 x 27"	M 25X2	24	7824.6358.0																																																						
				24B "104 x 27"	Pg 21	24	7824.6307.0																																																						
				24B "104 x 27"	Pg 21X2	24	7824.6308.0																																																						
<table border="1"> <thead> <tr> <th>Size B Grandezza B</th> <th>Poles Poli</th> <th>A</th> <th>B</th> <th>C</th> <th>D</th> <th>E</th> <th>F</th> </tr> </thead> <tbody> <tr> <td>44x27</td> <td>6</td> <td>83.5</td> <td>57</td> <td>53</td> <td>70</td> <td>40</td> <td>79.5</td> </tr> <tr> <td>57x27</td> <td>10</td> <td>97</td> <td>57</td> <td>57</td> <td>82</td> <td>40</td> <td>79.5</td> </tr> <tr> <td>77x27</td> <td>16</td> <td>117</td> <td>57</td> <td>63</td> <td>105</td> <td>45</td> <td>79.5</td> </tr> <tr> <td>104x27</td> <td>24</td> <td>143.5</td> <td>57</td> <td>63</td> <td>132</td> <td>45</td> <td>79.5</td> </tr> <tr> <td>77x62</td> <td>32</td> <td>125</td> <td>84.5</td> <td>87.5</td> <td>112</td> <td>67</td> <td>115.5</td> </tr> <tr> <td>104x62</td> <td>48</td> <td>141</td> <td>120</td> <td>96.5</td> <td>111</td> <td>106</td> <td>136.5</td> </tr> </tbody> </table>		Size B Grandezza B	Poles Poli	A	B	C	D	E	F	44x27	6	83.5	57	53	70	40	79.5	57x27	10	97	57	57	82	40	79.5	77x27	16	117	57	63	105	45	79.5	104x27	24	143.5	57	63	132	45	79.5	77x62	32	125	84.5	87.5	112	67	115.5	104x62	48	141	120	96.5	111	106	136.5	32B "77 x 62"	M 40	32	7832.6380.0
		Size B Grandezza B	Poles Poli	A	B	C	D	E	F																																																				
		44x27	6	83.5	57	53	70	40	79.5																																																				
		57x27	10	97	57	57	82	40	79.5																																																				
		77x27	16	117	57	63	105	45	79.5																																																				
		104x27	24	143.5	57	63	132	45	79.5																																																				
		77x62	32	125	84.5	87.5	112	67	115.5																																																				
		104x62	48	141	120	96.5	111	106	136.5																																																				
		32B "77 x 62"	M 40X2	32	7832.6381.0																																																								
		32B "77 x 62"	M 50	32	7832.6359.0																																																								
32B "77 x 62"	M 50X2	32	7832.6360.0																																																										
32B "77 x 62"	Pg 29	32	7832.6330.0																																																										
32B "77 x 62"	Pg 29X2	32	7832.6331.0																																																										
32B "77 x 62"	Pg 36	32	7832.6309.0																																																										
32B "77 x 62"	Pg 36X2	32	7832.6310.0																																																										
32B "77 x 62"	Pg 42	32	7832.6332.0																																																										
32B "77 x 62"	Pg 42X2	32	7832.6333.0																																																										
<ul style="list-style-type: none"> - 1 entry or 2 entries 1 o 2 ingressi - Types: STD For standard applications up to 500V for S-E, S-HSB, S-K inserts Tipo: STD per applicazioni standard fino a 500V per inserti S-E, S-HSB, S-K 		48B "104 x 62"	M 32X2	48	7848.7429.0																																																								
		48B "104 x 62"	M 40X2	48	7848.7430.0																																																								
		48B "104 x 62"	M 50X2	48	7848.7431.0																																																								
		48B "104 x 62"	Pg 29X2	48	7848.7530.0																																																								
<p>§ Number of poles with S-E inserts Numero di poli con inserti S-E</p>		48B "104 x 62"	Pg 36X2	48	7848.7531.0																																																								

500V