
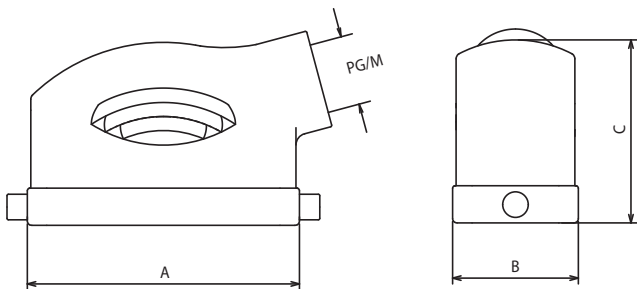


Hoods side entry with 2 pegs for one lever <i>Custodie ingresso orizzontale con 2 perni per una leva</i>	Size <i>Grandezza</i>	Thread <i>Filettatura</i>	No. of poles <i>No. poli §</i>	Part No. <i>Codice</i>																									
	6B "44 x 27"	M 20	6	7806.6551.0																									
	6B "44 x 27"	M 25	6	7806.6552.0																									
	6B "44 x 27"	Pg 13.5	6	7806.6501.0																									
	6B "44 x 27"	Pg 16	6	7806.6502.0																									
	10B "57 x 27"	M 20	10	7810.6555.0																									
	10B "57 x 27"	M 25	10	7810.6594.0																									
	10B "57 x 27"	Pg 16	10	7810.6505.0																									
	16B "77 x 27"	M 25	16	7816.6557.0																									
	16B "77 x 27"	Pg 21	16	7816.6507.0																									
	24B "104 x 27"	M 25	24	7824.6559.0																									
	24B "104 x 27"	M 32	24	7824.6925.0																									
	24B "104 x 27"	Pg 21	24	7824.6509.0																									
																													
<table border="1"> <thead> <tr> <th>Size B <i>Grandezza B</i></th> <th>Poles <i>Poli</i></th> <th>A</th> <th>B</th> <th>C</th> </tr> </thead> <tbody> <tr> <td>44x27</td> <td>6</td> <td>60</td> <td>43.5</td> <td>47</td> </tr> <tr> <td>57x27</td> <td>10</td> <td>73.5</td> <td>43.5</td> <td>52</td> </tr> <tr> <td>77x27</td> <td>16</td> <td>94</td> <td>43.5</td> <td>63</td> </tr> <tr> <td>104x27</td> <td>24</td> <td>120.5</td> <td>43.5</td> <td>63</td> </tr> </tbody> </table>					Size B <i>Grandezza B</i>	Poles <i>Poli</i>	A	B	C	44x27	6	60	43.5	47	57x27	10	73.5	43.5	52	77x27	16	94	43.5	63	104x27	24	120.5	43.5	63
Size B <i>Grandezza B</i>	Poles <i>Poli</i>	A	B	C																									
44x27	6	60	43.5	47																									
57x27	10	73.5	43.5	52																									
77x27	16	94	43.5	63																									
104x27	24	120.5	43.5	63																									
<ul style="list-style-type: none"> - Types: STD For standard applications up to 500V for S-E, S-HSB, S-K inserts <i>Tipo: STD per applicazioni standard fino a 500V per inserti S-E, S-HSB, S-K</i> - For IP65 and IP68 cable glands <i>Per pressacavi IP65 e IP68</i> 																													
<p>§ Number of poles with S-E inserts <i>Numero di poli con inserti S-E</i></p>																													