
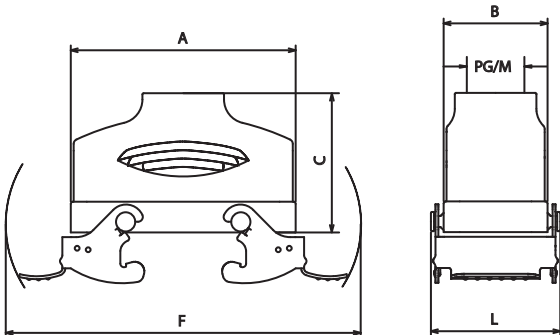


Hoods top entry with two levers without gasket <i>Custodia ingresso verticale con due leve senza guarnizione</i>	Size <i>Grandezza</i>	Thread <i>Filettatura</i>	No. of poles <i>No. poli §</i>	Part No. <i>Codice</i>																												
	10B "57 x 27"	M 20	10	7810.5060.0																												
	10B "57 x 27"	M 25	10	7810.5061.0																												
	10B "57 x 27"	Pg 16	10	7810.5062.0																												
	16B "77 x 27"	M 25	16	7816.5063.0																												
	16B "77 x 27"	M 32	16	7816.5064.0																												
	16B "77 x 27"	Pg 21	16	7816.5065.0																												
	24B "104 x 27"	M 25	24	7824.5066.0																												
	24B "104 x 27"	M 32	24	7824.5067.0																												
	24B "104 x 27"	Pg 21	24	7824.5068.0																												
	24B "104 x 27"	Pg 29	24	7824.5069.0																												
																																
	<table border="1"> <thead> <tr> <th>Size B <i>Grandezza B</i></th> <th>Poles <i>Poli</i></th> <th>A</th> <th>B</th> <th>C</th> <th>F</th> <th>L</th> </tr> </thead> <tbody> <tr> <td>57x27</td> <td>10</td> <td>73.5</td> <td>43.5</td> <td>58</td> <td>127</td> <td>54</td> </tr> <tr> <td>77x27</td> <td>16</td> <td>94</td> <td>43.5</td> <td>58</td> <td>147</td> <td>54</td> </tr> <tr> <td>104x27</td> <td>24</td> <td>120.5</td> <td>43.5</td> <td>68</td> <td>174</td> <td>54</td> </tr> </tbody> </table>					Size B <i>Grandezza B</i>	Poles <i>Poli</i>	A	B	C	F	L	57x27	10	73.5	43.5	58	127	54	77x27	16	94	43.5	58	147	54	104x27	24	120.5	43.5	68	174
Size B <i>Grandezza B</i>	Poles <i>Poli</i>	A	B	C	F	L																										
57x27	10	73.5	43.5	58	127	54																										
77x27	16	94	43.5	58	147	54																										
104x27	24	120.5	43.5	68	174	54																										
<ul style="list-style-type: none"> - Types: STD For standard applications up to 500V for S-E, S-HSB, S-K inserts <i>Tipo: STD per applicazioni standard fino a 500V per inserti S-E, S-HSB, S-K</i> - For IP65 and IP68 cable glands <i>Per pressacavi IP65 e IP68</i> 																																
<p>§ Number of poles with S-E inserts <i>Numero di poli con inserti S-E</i></p>																																

500V