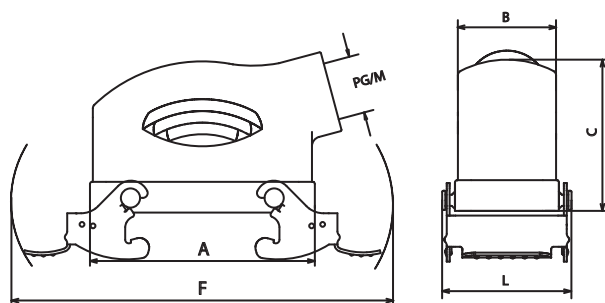


Hoods side entry with two levers
 Custodie ingresso orizzontale con due leve



Size Grandezza	Thread Filettatura	No. of poles No. poli §	Part No. Codice
10B "57 x 27"	M 20	10	7810.5090.0
10B "57 x 27"	M 25	10	7810.5091.0
10B "57 x 27"	Pg 16	10	7810.5092.0
16B "77 x 27"	M 25	16	7816.5093.0
16B "77 x 27"	M 32	16	7816.5094.0
16B "77 x 27"	Pg 21	16	7816.5095.0
24B "104 x 27"	M 25	24	7824.5096.0
24B "104 x 27"	M 32	24	7824.5097.0
24B "104 x 27"	Pg 21	24	7824.5098.0
24B "104 x 27"	Pg 29	24	7824.5099.0



Size B Grandezza B	Poles Poli	A	B	C	F	L
57x27	10	73.5	43.5	52	127	54
77x27	16	94	43.5	63	147	54
104x27	24	120.5	43.5	63	174	54

- Types: STD For standard applications up to 500V for S-E, S-HSB, S-K inserts
 Tipo: STD per applicazioni standard fino a 500V per inserti S-E, S-HSB, S-K
- For IP65 and IP68 cable glands
 Per pressacavi IP65 e IP68

§ Number of poles with S-E inserts
 Numero di poli con inserti S-E