
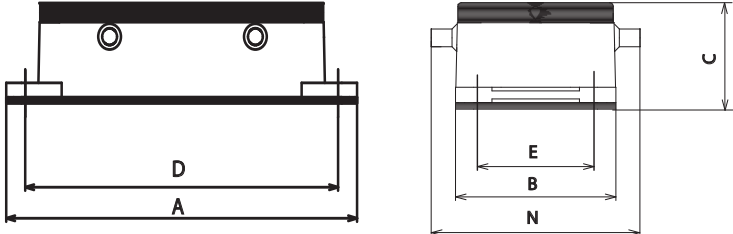
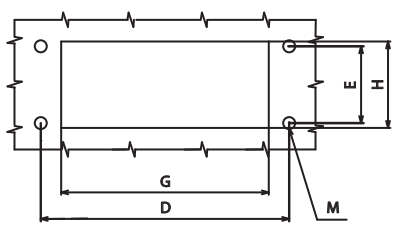


Bulkhead mounting housings Custodie da incasso	Size Grandezza	No. of poles No. poli §	Part No. Codice																																																							
	10B "57 x 27"	10	7810.5050.0																																																							
	16B "77 x 27"	16	7816.5051.0																																																							
	24B "104 x 27"	24	7824.5052.0																																																							
	32B "77 x 62"	32	7832.5053.0																																																							
																																																										
<p>Panel cut out Foratura del pannello</p> 																																																										
<table border="1"> <thead> <tr> <th>Size B Grandezza B</th> <th>Poles Poli</th> <th>A</th> <th>B</th> <th>C</th> <th>D</th> <th>E</th> <th>G</th> <th>H</th> <th>M</th> <th>N</th> </tr> </thead> <tbody> <tr> <td>57x27</td> <td>10</td> <td>95.5</td> <td>44</td> <td>29.5</td> <td>83</td> <td>32</td> <td>66.5</td> <td>36</td> <td>4.5</td> <td>56</td> </tr> <tr> <td>77x27</td> <td>16</td> <td>115.5</td> <td>44</td> <td>29.5</td> <td>103</td> <td>32</td> <td>86.5</td> <td>36</td> <td>4.5</td> <td>56</td> </tr> <tr> <td>104x27</td> <td>24</td> <td>142.5</td> <td>44</td> <td>29.5</td> <td>130</td> <td>32</td> <td>113</td> <td>36</td> <td>4.5</td> <td>56</td> </tr> <tr> <td>77x62</td> <td>32</td> <td>124.5</td> <td>84</td> <td>35.5</td> <td>110</td> <td>65</td> <td>87.5</td> <td>76.5</td> <td>5.5</td> <td>108</td> </tr> </tbody> </table>	Size B Grandezza B	Poles Poli	A	B	C	D	E	G	H	M	N	57x27	10	95.5	44	29.5	83	32	66.5	36	4.5	56	77x27	16	115.5	44	29.5	103	32	86.5	36	4.5	56	104x27	24	142.5	44	29.5	130	32	113	36	4.5	56	77x62	32	124.5	84	35.5	110	65	87.5	76.5	5.5	108			
Size B Grandezza B	Poles Poli	A	B	C	D	E	G	H	M	N																																																
57x27	10	95.5	44	29.5	83	32	66.5	36	4.5	56																																																
77x27	16	115.5	44	29.5	103	32	86.5	36	4.5	56																																																
104x27	24	142.5	44	29.5	130	32	113	36	4.5	56																																																
77x62	32	124.5	84	35.5	110	65	87.5	76.5	5.5	108																																																
<p>- Types: STD For standard applications up to 500V for S-E, S-EAV, S-HSB, S-K inserts. Tipo: STD per applicazioni standard fino a 500V per inserti S-E, S-EAV, S-HSB, S-K.</p>																																																										
<p>§ Number of poles with S-E inserts Numero di poli con inserti S-E</p>																																																										

500V