
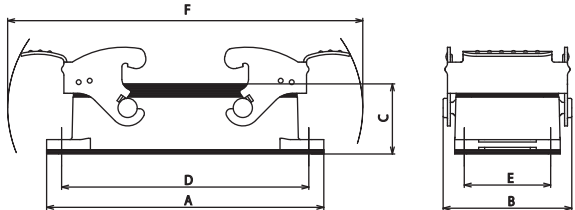
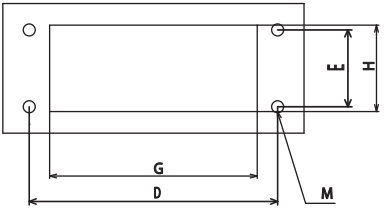


Bulkhead mounting housings Custodie da incasso		Size Grandezza	No. of poles No. poli §	Part No. Codice																																																							
		10B "57 x 27"	10	7810.6412.0																																																							
		16B "77 x 27"	16	7816.6413.0																																																							
		24B "104 x 27"	24	7824.6414.0																																																							
		32B "77 x 62"	32	7832.6415.0																																																							
 																																																											
Panel cut out Foratura del pannello																																																											
<table border="1"> <thead> <tr> <th>Size B Grandezza B</th> <th>Poles Poli</th> <th>A</th> <th>B</th> <th>C</th> <th>D</th> <th>E</th> <th>F</th> <th>G</th> <th>H</th> <th>M</th> </tr> </thead> <tbody> <tr> <td>57x27</td> <td>10</td> <td>95.5</td> <td>53.5</td> <td>29.5</td> <td>83</td> <td>32</td> <td>127</td> <td>66.5</td> <td>36</td> <td>4.5</td> </tr> <tr> <td>77x27</td> <td>16</td> <td>115.5</td> <td>53.5</td> <td>29.5</td> <td>103</td> <td>32</td> <td>147</td> <td>86.5</td> <td>36</td> <td>4.5</td> </tr> <tr> <td>104x27</td> <td>24</td> <td>142.5</td> <td>53.5</td> <td>29.5</td> <td>130</td> <td>32</td> <td>174</td> <td>113</td> <td>36</td> <td>4.5</td> </tr> <tr> <td>77x62</td> <td>32</td> <td>124.5</td> <td>105</td> <td>35.5</td> <td>110</td> <td>65</td> <td>147</td> <td>87.5</td> <td>76.5</td> <td>5.5</td> </tr> </tbody> </table>	Size B Grandezza B	Poles Poli	A	B	C	D	E	F	G	H	M	57x27	10	95.5	53.5	29.5	83	32	127	66.5	36	4.5	77x27	16	115.5	53.5	29.5	103	32	147	86.5	36	4.5	104x27	24	142.5	53.5	29.5	130	32	174	113	36	4.5	77x62	32	124.5	105	35.5	110	65	147	87.5	76.5	5.5				
Size B Grandezza B	Poles Poli	A	B	C	D	E	F	G	H	M																																																	
57x27	10	95.5	53.5	29.5	83	32	127	66.5	36	4.5																																																	
77x27	16	115.5	53.5	29.5	103	32	147	86.5	36	4.5																																																	
104x27	24	142.5	53.5	29.5	130	32	174	113	36	4.5																																																	
77x62	32	124.5	105	35.5	110	65	147	87.5	76.5	5.5																																																	
- Types: STD For standard applications up to 500V for S-E, S-EAV, S-HSB, S-K inserts Tipo: STD per applicazioni standard fino a 500V per inserti S-E, S-EAV, S-HSB, S-K																																																											
§ Number of poles with S-E inserts Numero di poli con inserti S-E																																																											

500V