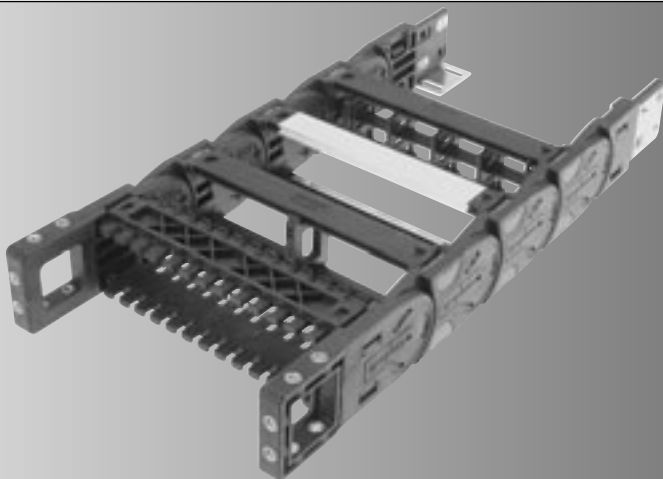


CABLE DRAG CHAIN SYSTEMS



PowerLine

MP 41.2



MP 41.2 - PowerLine 2nd generation

Order variants

| | | | | | | | | | |
|------------------------------------|--------|------|-----|-----|-----|---|---|--|--|
| Style (order code) | | | | | | | | | |
| Configuration (order code) | | | | | | | | | |
| Radius (order code) | | | | | | | | | |
| in mm | | | | | | | | | |
| Internal width (order code) | | | | | | | | | |
| in mm | | | | | | | | | |
| External width | | | | | | | | | |
| in mm | | | | | | | | | |
| MP41.2 045 | 77 | 45 | 045 | | | | | | |
| MP41.2 062 | 94 | 62 | 062 | | | | | | |
| MP41.2 071 | 103 | 71 | 071 | | | | | | |
| MP41.2 084 | 116 | 84 | 084 | | | | | | |
| MP41.2 096 | 128 | 96 | 096 | | | | | | |
| MP41.2 107 | 139 | 107 | 107 | | | | | | |
| MP41.2 121 | 153 | 121 | 121 | | | | | | |
| MP41.2 144 | 176 | 144 | 144 | | | | | | |
| MP41.2 146 | 178 | 146 | 146 | | | | | | |
| MP41.2 171 | 203 | 171 | 171 | | | | | | |
| MP41.2 182 | 214 | 182 | 182 | | | | | | |
| MP41.2 196 | 228 | 196 | 196 | | | | | | |
| MP41.2 220 | 252 | 220 | 220 | | | | | | |
| MP41.2 246 | 278 | 246 | 246 | | | | | | |
| MP41.2 296 | 328 | 296 | 296 | | | | | | |
| MP41.2 346 | 378 | 346 | 346 | | | | | | |
| MP41.2 396 | 428 | 396 | 396 | 90 | 090 | | | | |
| MP41.2 446 | 478 | 446 | 446 | 120 | 120 | 0 | | | |
| MP41.2 496 | 528 | 496 | 496 | 150 | 150 | 2 | | | |
| MP41.2 546 | 578 | 546 | 546 | 200 | 200 | 4 | 0 | | |
| MP41.2 xxx | Inside | >80- | | 250 | 250 | 6 | 7 | | |
| | + 32 | 600 | ALU | 300 | 300 | 9 | 9 | | |

Order number:

Configuration:

- 0 crossbar every link; w/bias
- 2 crossbar EOL; w/bias
- 4 AL crossbar every link; w/bias
- 6 AL crossbar EOL; w/bias
- 9 Customer order

Style:

- 0 Standard (PA)
- 7 ESD (PA)
- 9 Special version

Sample order

0412 045 075 0000

Inside width = 45 mm

Radius = 75 mm

Configuration = 0

Style = 0

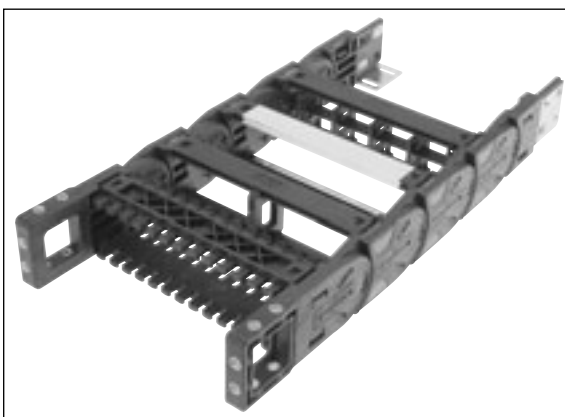
Ideal operating conditions

- Extreme accelerations
- Extreme speeds
- Very high additional loads
- Opens on both sides
- Variable widths thanks to aluminium ridge
- Flexible internal separation

Alternative chain type

- MP 43 G closed series
- MP 42 opening cover in inside bend, easier to use
- MP 44 Version with/without bias, easier to use
- MP 41 Greater unsupported length

Features



Chain bracket with fixing means on three sides



Chain bracket with variably positionable metal bracket



Frame ridge strain relief can be integrated into chain bracket



Frame ridges / covers in inside and outside bend can be removed



Side links with CLICK lock for easy opening



Radii with medium bias (R) for all applications



ESD cable drag chains for use in areas at risk of explosion



Back radius combinations



Aluminium frame ridges with integrated lock grid in variable lengths

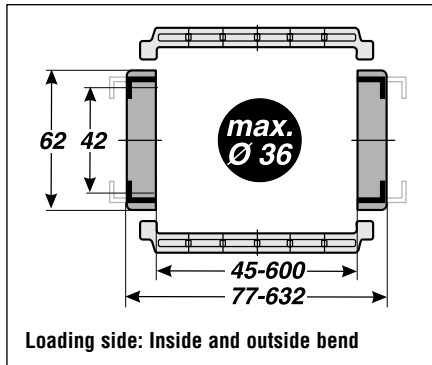


Foldable shelf system for reliable cable guidance

MP 41.2 - PowerLine 2nd generation

Technical data

Chain link dimensions



Material properties

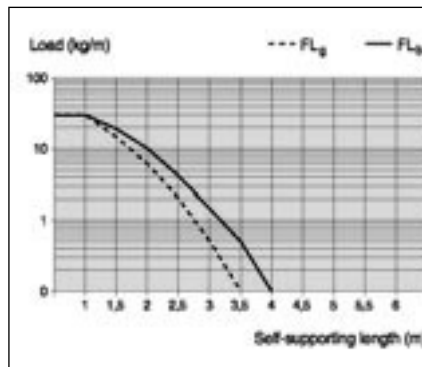
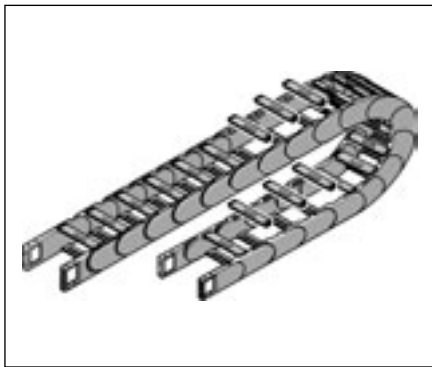
Service temperature: -30 to +120 °C
 Gliding friction factor: 0.30
 Static friction factor: 0.45
 Fire classification: in conformity with UL94 HB

Other material properties on request

Technical specifications

Travel distance, gliding, L_g : 120 m
 Travel distance, self-supporting, L_s : see diagram
 Travel distance, vertical, hanging, L_{vh} : 100 m
 Travel distance, vertical, upright, L_{vu} : 6 m
 Rotated 90°, self-supporting, L_{sg} : 1 m
 Speed, gliding, V_g : 5 m/s
 Speed, self-supporting, V_s : 20 m/s
 Acceleration, gliding, a_g : 25 m/s²
 Acceleration, self-supporting, a_s : 30 m/s²

Unsupported length

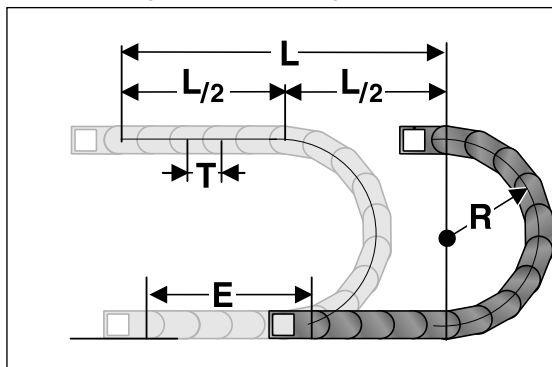


FL_g:
 Ideal installation situation for high stresses at the limit of the max. travel parameters. In this range the chain upper run is still biased, straight or has a max. sag of 10 – 50 mm depending on the type of chain.

FL_s:
 Satisfactory installation position for many applications working in the lower to middle range of the max. travel parameters. Depending on the chain type, the sag of the chain upper run is > 10 – 50 mm but less than the max. sag.

If the sag is greater than FL_s , the arrangement is unsuitable and should be avoided. Please choose a more stable murrplastik cable drag chain.

Determining the chain length



L = Travel distance
 R = Radius
 T = Pitch
 E = Distance between entry point and middle of travel distance

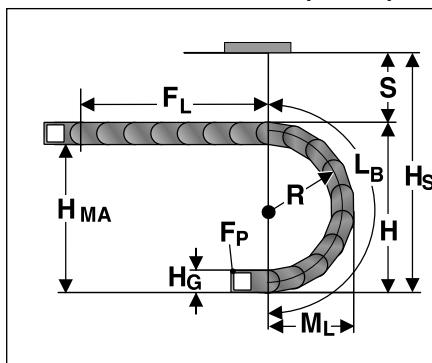
Determining the chain length

$$\text{Length} = \frac{L}{2} + \pi \times R + E$$

≈ 1 m chain = 13 x 77 mm links

The fixed point of the cable drag chain should be connected in the middle of the travel distance. This arrangement gives the shortest connection between the fixed point and the moving consumer and thus the most efficient chain length.

Installation dimensions (in mm)

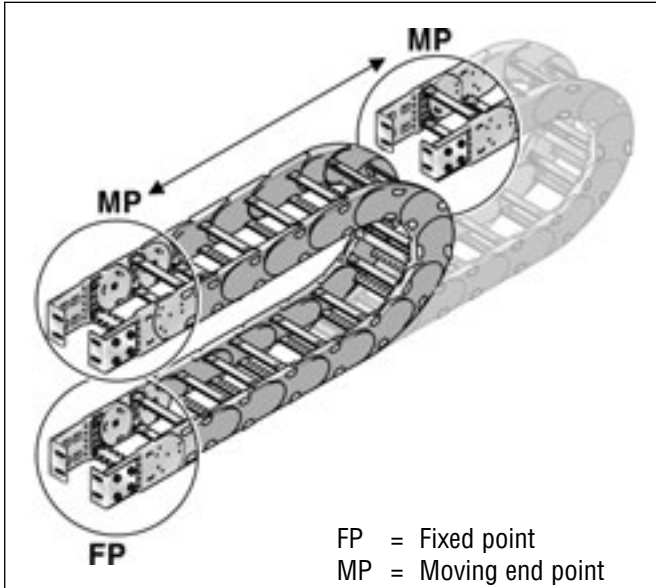


| Radius R | 75 | 90 | 120 | 150 | 200 | 250 | 300 |
|--|-----|-----|-----|-----|-----|-----|------|
| Outside height of chain link (H_c) | 62 | 62 | 62 | 62 | 62 | 62 | 62 |
| Height of bend (H) | 212 | 242 | 302 | 362 | 462 | 562 | 662 |
| Height of moving end connection (H_{MA}) | 150 | 180 | 240 | 300 | 400 | 500 | 600 |
| Safety margin (S_v) | 30 | 30 | 30 | 30 | 30 | 30 | 30 |
| Installation height (H_{sv}) | 242 | 272 | 332 | 392 | 492 | 592 | 692 |
| Arc projection (M_L) | 183 | 198 | 228 | 258 | 308 | 358 | 408 |
| Bend length (L_b) | 410 | 457 | 551 | 645 | 802 | 959 | 1116 |

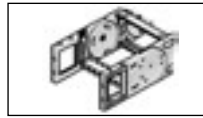


MP 41.2 - PowerLine 2nd generation

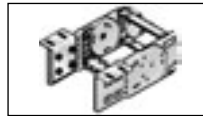
Chain bracket



Chain bracket flexible



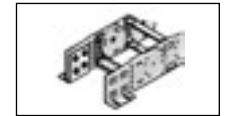
Chain bracket elbow fitting



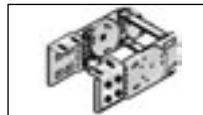
Top / outside



Front / outside



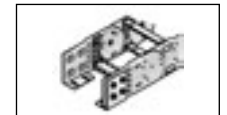
Bottom / outside



Top / inside



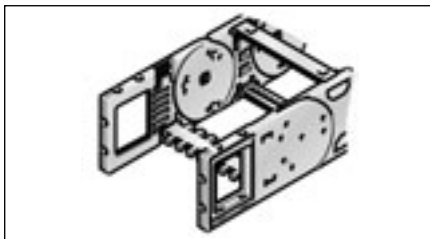
Front / inside



Bottom / inside

Chain bracket flexible

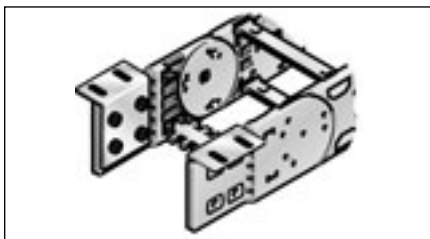
| Type | Order no. | Version | Pack |
|----------|------------|-------------|------|
| KA 41-FB | 0411000054 | with bush | 1 |
| KA 41-FG | 0411000055 | with thread | 1 |



This chain bracket offers universal connection options (top, bottom and front) and is attached to the ends of the chain like a side link. This allows the chain to move right up to the bracket. Each chain requires one male and one female bracket. M6 screws are used to secure the brackets in place. Extrusion coated metal bushes with either a through-hole (-FB) or a threaded hole (-FG) ensure the permanent, high-strength transmission of even extreme forces onto the cable drag chain.

Chain bracket elbow fitting

| Type | Order no. | Pack |
|-------|------------|------|
| KA 41 | 0410000051 | 1 |

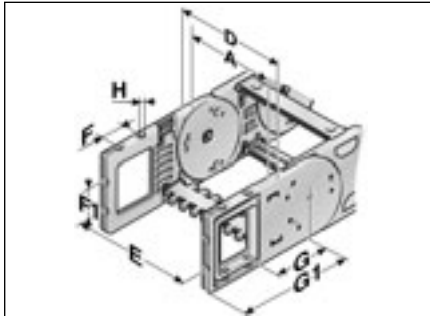


There are several options as regarding the chain bracket. The fixed-point bracket (inside/bottom) and the moving end bracket (inside/top) are supplied as standard. However, any other combination can be supplied upon request. The chain bracket is fastened at the end like a side link. This enables the chain to move right up to the bracket. Each chain requires one male and one female bracket. The brackets should be fastened with M6 screws.

MP 41.2 - PowerLine 2nd generation

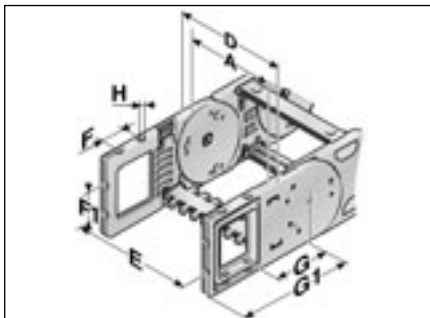
Chain bracket flexible

Dimensions in mm



Flexible with through-hole

| Type | A | D | E | F | F1 | G | G1 | H Ø |
|----------|----------|---------|---------|-------|-------|-------|--------|------|
| KA 41-FB | 45.00 | 79.00 | 65.00 | 22.50 | 22.00 | 79.00 | 120.00 | 6.50 |
| KA 41-FB | 62.00 | 96.00 | 82.00 | 22.50 | 22.00 | 79.00 | 120.00 | 6.50 |
| KA 41-FB | 71.00 | 105.00 | 91.00 | 22.50 | 22.00 | 79.00 | 120.00 | 6.50 |
| KA 41-FB | 84.00 | 118.00 | 104.00 | 22.50 | 22.00 | 79.00 | 120.00 | 6.50 |
| KA 41-FB | 96.00 | 130.00 | 116.00 | 22.50 | 22.00 | 79.00 | 120.00 | 6.50 |
| KA 41-FB | 107.00 | 141.00 | 127.00 | 22.50 | 22.00 | 79.00 | 120.00 | 6.50 |
| KA 41-FB | 121.00 | 155.00 | 141.00 | 22.50 | 22.00 | 79.00 | 120.00 | 6.50 |
| KA 41-FB | 144.00 | 178.00 | 164.00 | 22.50 | 22.00 | 79.00 | 120.00 | 6.50 |
| KA 41-FB | 146.00 | 180.00 | 166.00 | 22.50 | 22.00 | 79.00 | 120.00 | 6.50 |
| KA 41-FB | 171.00 | 205.00 | 191.00 | 22.50 | 22.00 | 79.00 | 120.00 | 6.50 |
| KA 41-FB | 182.00 | 226.00 | 202.00 | 22.50 | 22.00 | 79.00 | 120.00 | 6.50 |
| KA 41-FB | 196.00 | 230.00 | 216.00 | 22.50 | 22.00 | 79.00 | 120.00 | 6.50 |
| KA 41-FB | 220.00 | 254.00 | 240.00 | 22.50 | 22.00 | 79.00 | 120.00 | 6.50 |
| KA 41-FB | 246.00 | 280.00 | 266.00 | 22.50 | 22.00 | 79.00 | 120.00 | 6.50 |
| KA 41-FB | 252.00 | 290.00 | 272.00 | 22.50 | 22.00 | 79.00 | 120.00 | 6.50 |
| KA 41-FB | 296.00 | 330.00 | 316.00 | 22.50 | 22.00 | 79.00 | 120.00 | 6.50 |
| KA 41-FB | 346.00 | 380.00 | 366.00 | 22.50 | 22.00 | 79.00 | 120.00 | 6.50 |
| KA 41-FB | 396.00 | 430.00 | 416.00 | 22.50 | 22.00 | 79.00 | 120.00 | 6.50 |
| KA 41-FB | 446.00 | 480.00 | 466.00 | 22.50 | 22.00 | 79.00 | 120.00 | 6.50 |
| KA 41-FB | 496.00 | 530.00 | 516.00 | 22.50 | 22.00 | 79.00 | 120.00 | 6.50 |
| KA 41-FB | 546.00 | 580.00 | 566.00 | 22.50 | 22.00 | 79.00 | 120.00 | 6.50 |
| KA 41-FB | Variable | A+34.00 | A+20.00 | 22.50 | 22.00 | 79.00 | 120.00 | 6.50 |



Flexible with threaded bush

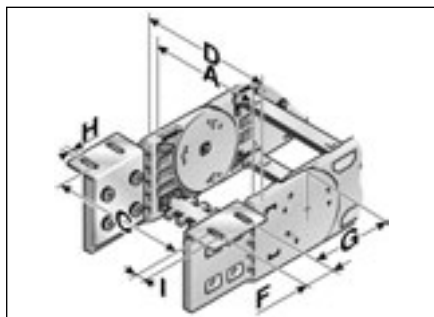
| Type | A | D | E | F | F1 | G | G1 | H |
|----------|----------|---------|---------|-------|-------|-------|--------|----|
| KA 41-FG | 45.00 | 79.00 | 65.00 | 22.50 | 22.00 | 79.00 | 120.00 | M6 |
| KA 41-FG | 62.00 | 96.00 | 82.00 | 22.50 | 22.00 | 79.00 | 120.00 | M6 |
| KA 41-FG | 71.00 | 105.00 | 91.00 | 22.50 | 22.00 | 79.00 | 120.00 | M6 |
| KA 41-FG | 84.00 | 118.00 | 104.00 | 22.50 | 22.00 | 79.00 | 120.00 | M6 |
| KA 41-FG | 96.00 | 130.00 | 116.00 | 22.50 | 22.00 | 79.00 | 120.00 | M6 |
| KA 41-FG | 107.00 | 141.00 | 127.00 | 22.50 | 22.00 | 79.00 | 120.00 | M6 |
| KA 41-FG | 121.00 | 155.00 | 141.00 | 22.50 | 22.00 | 79.00 | 120.00 | M6 |
| KA 41-FG | 144.00 | 178.00 | 164.00 | 22.50 | 22.00 | 79.00 | 120.00 | M6 |
| KA 41-FG | 146.00 | 180.00 | 166.00 | 22.50 | 22.00 | 79.00 | 120.00 | M6 |
| KA 41-FG | 171.00 | 205.00 | 191.00 | 22.50 | 22.00 | 79.00 | 120.00 | M6 |
| KA 41-FG | 182.00 | 226.00 | 202.00 | 22.50 | 22.00 | 79.00 | 120.00 | M6 |
| KA 41-FG | 196.00 | 230.00 | 216.00 | 22.50 | 22.00 | 79.00 | 120.00 | M6 |
| KA 41-FG | 220.00 | 254.00 | 240.00 | 22.50 | 22.00 | 79.00 | 120.00 | M6 |
| KA 41-FG | 246.00 | 280.00 | 266.00 | 22.50 | 22.00 | 79.00 | 120.00 | M6 |
| KA 41-FG | 252.00 | 290.00 | 272.00 | 22.50 | 22.00 | 79.00 | 120.00 | M6 |
| KA 41-FG | 296.00 | 330.00 | 316.00 | 22.50 | 22.00 | 79.00 | 120.00 | M6 |
| KA 41-FG | 346.00 | 380.00 | 366.00 | 22.50 | 22.00 | 79.00 | 120.00 | M6 |
| KA 41-FG | 396.00 | 430.00 | 416.00 | 22.50 | 22.00 | 79.00 | 120.00 | M6 |
| KA 41-FG | 446.00 | 480.00 | 466.00 | 22.50 | 22.00 | 79.00 | 120.00 | M6 |
| KA 41-FG | 496.00 | 530.00 | 516.00 | 22.50 | 22.00 | 79.00 | 120.00 | M6 |
| KA 41-FG | 546.00 | 580.00 | 566.00 | 22.50 | 22.00 | 79.00 | 120.00 | M6 |
| KA 41-FG | Variable | A+34.00 | A+20.00 | 22.50 | 22.00 | 79.00 | 120.00 | M6 |



MP 41.2 - PowerLine 2nd generation

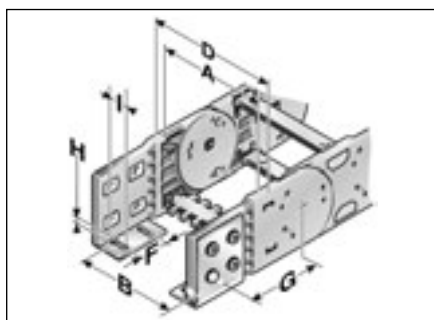
Chain bracket elbow fitting

Dimensions in mm



Bottom and top / outside

| Type | A | C | D | F | G | H Ø | I |
|-------|----------|---------|---------|-------|-------|------|-------|
| KA 41 | 45.00 | 79.50 | 77.00 | 32.00 | 79.00 | 6.50 | 14.00 |
| KA 41 | 62.00 | 96.50 | 94.00 | 32.00 | 79.00 | 6.50 | 14.00 |
| KA 41 | 71.00 | 105.50 | 103.00 | 32.00 | 79.00 | 6.50 | 14.00 |
| KA 41 | 84.00 | 118.50 | 116.00 | 32.00 | 79.00 | 6.50 | 14.00 |
| KA 41 | 96.00 | 130.50 | 128.00 | 32.00 | 79.00 | 6.50 | 14.00 |
| KA 41 | 107.00 | 141.50 | 139.00 | 32.00 | 79.00 | 6.50 | 14.00 |
| KA 41 | 121.00 | 155.50 | 153.00 | 32.00 | 79.00 | 6.50 | 14.00 |
| KA 41 | 144.00 | 178.50 | 176.00 | 32.00 | 79.00 | 6.50 | 14.00 |
| KA 41 | 146.00 | 180.50 | 178.00 | 32.00 | 79.00 | 6.50 | 14.00 |
| KA 41 | 171.00 | 205.50 | 203.00 | 32.00 | 79.00 | 6.50 | 14.00 |
| KA 41 | 182.00 | 216.50 | 213.00 | 32.00 | 79.00 | 6.50 | 14.00 |
| KA 41 | 196.00 | 230.50 | 228.00 | 32.00 | 79.00 | 6.50 | 14.00 |
| KA 41 | 220.00 | 254.50 | 252.00 | 32.00 | 79.00 | 6.50 | 14.00 |
| KA 41 | 246.00 | 280.50 | 278.00 | 32.00 | 79.00 | 6.50 | 14.00 |
| KA 41 | 252.00 | 286.50 | 284.00 | 32.00 | 79.00 | 6.50 | 14.00 |
| KA 41 | 296.00 | 330.50 | 328.00 | 32.00 | 79.00 | 6.50 | 14.00 |
| KA 41 | 346.00 | 380.50 | 378.00 | 32.00 | 79.00 | 6.50 | 14.00 |
| KA 41 | 396.00 | 430.50 | 428.00 | 32.00 | 79.00 | 6.50 | 14.00 |
| KA 41 | 446.00 | 480.50 | 478.00 | 32.00 | 79.00 | 6.50 | 14.00 |
| KA 41 | 496.00 | 530.50 | 528.00 | 32.00 | 79.00 | 6.50 | 14.00 |
| KA 41 | 546.00 | 580.50 | 578.00 | 32.00 | 79.00 | 6.50 | 14.00 |
| KA 41 | Variable | A+34.50 | A+32.00 | 32.00 | 79.00 | 6.50 | 14.00 |



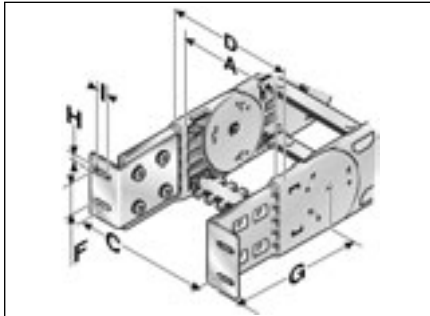
Bottom and top / inside

| Type | A | B | D | F | G | H Ø | I |
|-------|----------|--------|---------|-------|-------|------|-------|
| KA 41 | 45.00 | 42.50 | 77.00 | 32.00 | 79.00 | 6.50 | 14.00 |
| KA 41 | 62.00 | 59.50 | 94.00 | 32.00 | 79.00 | 6.50 | 14.00 |
| KA 41 | 71.00 | 68.50 | 103.00 | 32.00 | 79.00 | 6.50 | 14.00 |
| KA 41 | 84.00 | 81.50 | 116.00 | 32.00 | 79.00 | 6.50 | 14.00 |
| KA 41 | 96.00 | 93.50 | 128.00 | 32.00 | 79.00 | 6.50 | 14.00 |
| KA 41 | 107.00 | 104.50 | 139.00 | 32.00 | 79.00 | 6.50 | 14.00 |
| KA 41 | 121.00 | 118.50 | 153.00 | 32.00 | 79.00 | 6.50 | 14.00 |
| KA 41 | 144.00 | 141.50 | 176.00 | 32.00 | 79.00 | 6.50 | 14.00 |
| KA 41 | 146.00 | 143.50 | 178.00 | 32.00 | 79.00 | 6.50 | 14.00 |
| KA 41 | 171.00 | 168.50 | 203.00 | 32.00 | 79.00 | 6.50 | 14.00 |
| KA 41 | 182.00 | 179.50 | 213.00 | 32.00 | 79.00 | 6.50 | 14.00 |
| KA 41 | 196.00 | 193.50 | 228.00 | 32.00 | 79.00 | 6.50 | 14.00 |
| KA 41 | 220.00 | 217.50 | 252.00 | 32.00 | 79.00 | 6.50 | 14.00 |
| KA 41 | 246.00 | 243.50 | 278.00 | 32.00 | 79.00 | 6.50 | 14.00 |
| KA 41 | 252.00 | 249.50 | 284.00 | 32.00 | 79.00 | 6.50 | 14.00 |
| KA 41 | 296.00 | 293.50 | 328.00 | 32.00 | 79.00 | 6.50 | 14.00 |
| KA 41 | 346.00 | 343.50 | 378.00 | 32.00 | 79.00 | 6.50 | 14.00 |
| KA 41 | 396.00 | 393.50 | 428.00 | 32.00 | 79.00 | 6.50 | 14.00 |
| KA 41 | 446.00 | 443.50 | 478.00 | 32.00 | 79.00 | 6.50 | 14.00 |
| KA 41 | 496.00 | 493.50 | 528.00 | 32.00 | 79.00 | 6.50 | 14.00 |
| KA 41 | 546.00 | 543.50 | 578.00 | 32.00 | 79.00 | 6.50 | 14.00 |
| KA 41 | Variable | A-2.50 | A+32.00 | 32.00 | 79.00 | 6.50 | 14.00 |

MP 41.2 - PowerLine 2nd generation

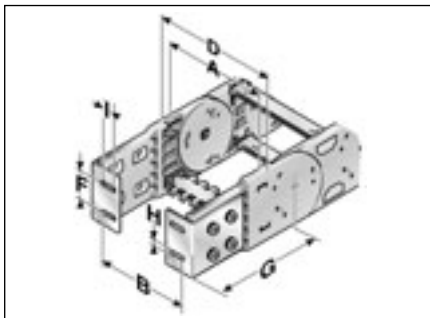
Chain bracket elbow fitting

Dimensions in mm



Front / outside

| Type | A | C | D | F | G | H Ø | I |
|-------|----------|---------|---------|-------|--------|------|-------|
| KA 41 | 45.00 | 79.50 | 77.00 | 32.00 | 125.70 | 6.50 | 14.00 |
| KA 41 | 62.00 | 96.50 | 94.00 | 32.00 | 125.70 | 6.50 | 14.00 |
| KA 41 | 71.00 | 105.50 | 103.00 | 32.00 | 125.70 | 6.50 | 14.00 |
| KA 41 | 84.00 | 118.50 | 116.00 | 32.00 | 125.70 | 6.50 | 14.00 |
| KA 41 | 96.00 | 130.50 | 128.00 | 32.00 | 125.70 | 6.50 | 14.00 |
| KA 41 | 107.00 | 141.50 | 139.00 | 32.00 | 125.70 | 6.50 | 14.00 |
| KA 41 | 121.00 | 155.50 | 153.00 | 32.00 | 125.70 | 6.50 | 14.00 |
| KA 41 | 144.00 | 178.50 | 176.00 | 32.00 | 125.70 | 6.50 | 14.00 |
| KA 41 | 146.00 | 180.50 | 178.00 | 32.00 | 125.70 | 6.50 | 14.00 |
| KA 41 | 171.00 | 205.50 | 203.00 | 32.00 | 125.70 | 6.50 | 14.00 |
| KA 41 | 182.00 | 216.50 | 213.00 | 32.00 | 125.70 | 6.50 | 14.00 |
| KA 41 | 196.00 | 230.50 | 228.00 | 32.00 | 125.70 | 6.50 | 14.00 |
| KA 41 | 220.00 | 254.50 | 252.00 | 32.00 | 125.70 | 6.50 | 14.00 |
| KA 41 | 246.00 | 280.50 | 278.00 | 32.00 | 125.70 | 6.50 | 14.00 |
| KA 41 | 252.00 | 286.50 | 284.00 | 32.00 | 125.70 | 6.50 | 14.00 |
| KA 41 | 296.00 | 330.50 | 328.00 | 32.00 | 125.70 | 6.50 | 14.00 |
| KA 41 | 346.00 | 380.50 | 378.00 | 32.00 | 125.70 | 6.50 | 14.00 |
| KA 41 | 396.00 | 430.50 | 428.00 | 32.00 | 125.70 | 6.50 | 14.00 |
| KA 41 | 446.00 | 480.50 | 478.00 | 32.00 | 125.70 | 6.50 | 14.00 |
| KA 41 | 496.00 | 530.50 | 528.00 | 32.00 | 125.70 | 6.50 | 14.00 |
| KA 41 | 546.00 | 580.50 | 578.00 | 32.00 | 125.70 | 6.50 | 14.00 |
| KA 41 | Variable | A+34.50 | A+32.00 | 32.00 | 125.70 | 6.50 | 14.00 |



Front / inside

| Type | A | B | D | F | G | H Ø | I |
|-------|----------|--------|---------|-------|--------|------|-------|
| KA 41 | 45.00 | 42.50 | 77.00 | 32.00 | 125.70 | 6.50 | 14.00 |
| KA 41 | 62.00 | 59.50 | 94.00 | 32.00 | 125.70 | 6.50 | 14.00 |
| KA 41 | 71.00 | 68.50 | 103.00 | 32.00 | 125.70 | 6.50 | 14.00 |
| KA 41 | 84.00 | 81.50 | 116.00 | 32.00 | 125.70 | 6.50 | 14.00 |
| KA 41 | 96.00 | 93.50 | 128.00 | 32.00 | 125.70 | 6.50 | 14.00 |
| KA 41 | 107.00 | 104.50 | 139.00 | 32.00 | 125.70 | 6.50 | 14.00 |
| KA 41 | 121.00 | 118.50 | 153.00 | 32.00 | 125.70 | 6.50 | 14.00 |
| KA 41 | 144.00 | 141.50 | 176.00 | 32.00 | 125.70 | 6.50 | 14.00 |
| KA 41 | 146.00 | 143.50 | 178.00 | 32.00 | 125.70 | 6.50 | 14.00 |
| KA 41 | 171.00 | 168.50 | 203.00 | 32.00 | 125.70 | 6.50 | 14.00 |
| KA 41 | 182.00 | 179.50 | 213.00 | 32.00 | 125.70 | 6.50 | 14.00 |
| KA 41 | 196.00 | 193.50 | 228.00 | 32.00 | 125.70 | 6.50 | 14.00 |
| KA 41 | 220.00 | 217.50 | 252.00 | 32.00 | 125.70 | 6.50 | 14.00 |
| KA 41 | 246.00 | 243.50 | 278.00 | 32.00 | 125.70 | 6.50 | 14.00 |
| KA 41 | 252.00 | 249.50 | 284.00 | 32.00 | 125.70 | 6.50 | 14.00 |
| KA 41 | 296.00 | 293.50 | 328.00 | 32.00 | 125.70 | 6.50 | 14.00 |
| KA 41 | 346.00 | 343.50 | 378.00 | 32.00 | 125.70 | 6.50 | 14.00 |
| KA 41 | 396.00 | 393.50 | 428.00 | 32.00 | 125.70 | 6.50 | 14.00 |
| KA 41 | 446.00 | 443.50 | 478.00 | 32.00 | 125.70 | 6.50 | 14.00 |
| KA 41 | 496.00 | 493.50 | 528.00 | 32.00 | 125.70 | 6.50 | 14.00 |
| KA 41 | 546.00 | 543.50 | 578.00 | 32.00 | 125.70 | 6.50 | 14.00 |
| KA 41 | Variable | A-2.50 | A+32.00 | 32.00 | 125.70 | 6.50 | 14.00 |



MP 41.2 - Accessories

Separator

| Type | Order no. | Description | Pack |
|------|-----------|-------------|------|
|------|-----------|-------------|------|



Separator

| | | | |
|---------|--------------|-----------|---|
| TR 41.1 | 041100009200 | Separator | 1 |
|---------|--------------|-----------|---|

Lock grid spacing 5.60 mm

We recommend that separators are used if multiple round cables or conduits with differing diameters are to be installed.
An offset configuration of the separators is advisable.

| Type | Dimensions in mm | | | | | |
|------|------------------|----|----|----|----|----|
| | H | T1 | H1 | H2 | H3 | HI |

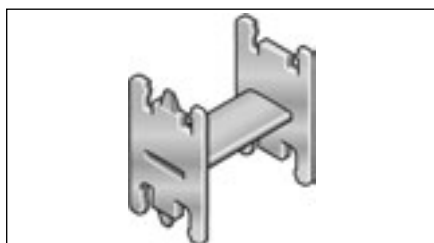
| | | | | | | |
|-------|------|------|-------|-------|-------|-------|
| TR 41 | 4.00 | 3.50 | 18.10 | 24.90 | 30.90 | 42.00 |
|-------|------|------|-------|-------|-------|-------|



Separator

H-shaped shelf unit

| Type | Order no. | Description | Pack |
|------|-----------|-------------|------|
|------|-----------|-------------|------|



H-shaped shelf unit

| | | | |
|----------|--------------|-------------------------------|---|
| RE 36/11 | 100000361112 | RE 36/11 Shelf unit, H-shaped | 1 |
|----------|--------------|-------------------------------|---|

| | | | |
|----------|--------------|-------------------------------|---|
| RE 59/18 | 100000591812 | RE 59/18 Shelf unit, H-shaped | 1 |
|----------|--------------|-------------------------------|---|

| | | | |
|----------|--------------|-------------------------------|---|
| RE 81/11 | 100000811112 | RE 81/11 Shelf unit, H-shaped | 1 |
|----------|--------------|-------------------------------|---|

Lock grid spacing 5.60 mm

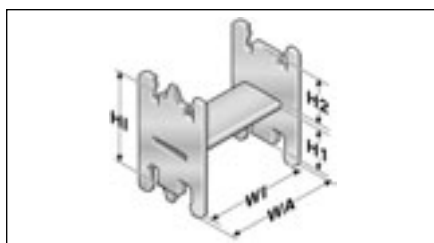
Insert to obtain additional levels in pre-defined distances.

| Type | Dimensions in mm | | | | |
|------|------------------|----|----|----|----|
| | WA | WI | H1 | H2 | HI |

| | | | | | |
|----------|-------|-------|-------|-------|-------|
| RE 36/11 | 42.50 | 36.50 | 26.20 | 11.50 | 42.00 |
|----------|-------|-------|-------|-------|-------|

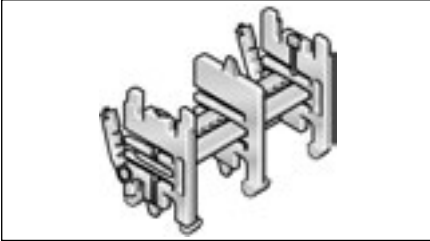
| | | | | | |
|----------|-------|-------|-------|-------|-------|
| RE 59/18 | 65.00 | 59.00 | 18.80 | 18.80 | 42.00 |
|----------|-------|-------|-------|-------|-------|

| | | | | | |
|----------|-------|-------|-------|-------|-------|
| RE 81/11 | 87.50 | 81.50 | 26.20 | 11.50 | 42.00 |
|----------|-------|-------|-------|-------|-------|



H-shaped shelf unit

MP 41.2 - Accessories

| Shelving system | Type | Order no. | Description | Width in mm | Pack |
|---|---------------------------|--------------|---------------------------------|-------------|------|
|  | RB 196-5 | 100000019600 | RB 196-5 Shelf | 196 | 1 |
| | RTT 41 | 100090412000 | RTT 41 Shelf support, divisible | | 1 |
| | Lock grid spacing 5.60 mm | | | | |

Shelving system

In connection with at least two shelf supports (RTT) the shelf becomes a shelving system. The additional levels prevent cables from criss-crossing and therefore destroying each other, whilst also avoiding excessive friction. Pre-assembly is not necessary as the shelf system and cabling can be assembled quickly and easily on site.

| | | Dimensions in mm |
|--------|------|------------------|
| Type | TI | |
| RTT 41 | 7.00 | |



Shelving system



MP 41.2 - Accessories

Frame ridge connector

| Type | Order no. | Description | Pack |
|----------|--------------|--|------|
| RSV 41 | 041000009600 | RSV 41 Frame ridge connector | 1 |
| RSV 41 A | 041000009800 | RSV 41 Aluminium frame ridge connector | 1 |



Frame ridge connector

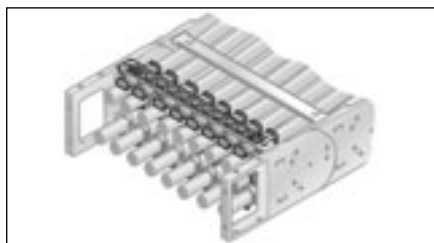
For frame ridges wider than 246 mm, we recommend the use of frame ridge connectors. These prevent deformation to the frame ridge under large amounts of additional weight of the chain assembly.

| Type | TI | Dimensions in mm |
|--------|------|------------------|
| RSV 41 | 7.50 | |



Strain relief RS-ZL

| Type | Order no. | for inside width | Pack |
|-------------|--------------|------------------|------|
| RS-ZL 045-5 | 052004500010 | 45 mm | 1 |
| RS-ZL 062-5 | 052006200010 | 62 mm | 1 |
| RS-ZL 071-5 | 052007100010 | 71 mm | 1 |
| RS-ZL 084-5 | 052008400010 | 84 mm | 1 |
| RS-ZL 096-5 | 052009600010 | 96 mm | 1 |
| RS-ZL 107-5 | 052010700010 | 107 mm | 1 |
| RS-ZL 121-5 | 052012100010 | 121 mm | 1 |
| RS-ZL 144-5 | 052014400010 | 144 mm | 1 |
| RS-ZL 171-5 | 052017100010 | 171 mm | 1 |
| RS-ZL 182-5 | 052018200010 | 182 mm | 1 |
| RS-ZL 196-5 | 052019600010 | 196 mm | 1 |
| RS-ZL 220-5 | 052022000010 | 220 mm | 1 |
| RS-ZL 246-5 | 052024600010 | 246 mm | 1 |

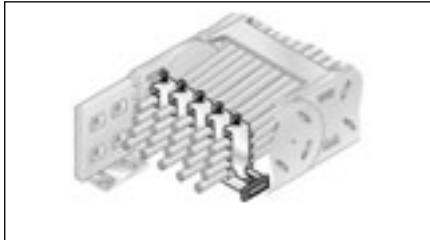


Strain relief RS-ZL

Frame ridge strain relief plates that can be permanently integrated in the chain brackets. Tailored to all frame ridge widths up to 246 mm. May be mounted on the inside and outside bend at both ends of the chain.

MP 41.2 - Accessories

Strain relief with BAK



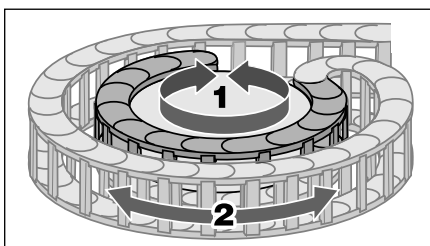
Strain relief with hooped clamp

| Type | Order no. | Description | Ø in mm | Pack |
|----------|-----------|-----------------------|---------|------|
| C-rail | 81661610 | C-profile rail | | 1 |
| BAK 14 | 81661002 | BAK 14 Hooped clamp | 6-14 | 1 |
| BAK 18 | 81661004 | BAK 18 Hooped clamp | 14-18 | 1 |
| BAK 22 | 81661006 | BAK 22 Hooped clamp | 18-22 | 1 |
| BAK 26 | 81661008 | BAK 26 Hooped clamp | 22-26 | 1 |
| BAK 30 | 81661010 | BAK 30 Hooped clamp | 26-30 | 1 |
| BAK 14/2 | 81661012 | BAK 14/2 Hooped clamp | 10-14 | 1 |
| BAK 18/2 | 81661014 | BAK 18/2 Hooped clamp | 14-18 | 1 |
| BAK 22/2 | 81661016 | BAK 22/2 Hooped clamp | 18-22 | 1 |
| BAK 26/2 | 81661018 | BAK 26/2 Hooped clamp | 22-26 | 1 |
| BAK 12/3 | 81661020 | BAK 12/3 Hooped clamp | 9-12 | 1 |
| BAK 14/3 | 81661022 | BAK 14/3 Hooped clamp | 12-14 | 1 |
| BAK 16/3 | 81661024 | BAK 16/3 Hooped clamp | 14-16 | 1 |
| BAK 18/3 | 81661026 | BAK 18/3 Hooped clamp | 16-18 | 1 |
| BAK 20/3 | 81661028 | BAK 20/3 Hooped clamp | 18-20 | 1 |
| BAK 22/3 | 81661030 | BAK 22/3 Hooped clamp | 20-22 | 1 |

Strain relief plates that can be permanently integrated in the chain brackets. Available in all widths (including individual widths in aluminium frame ridges). May be mounted on the inside and outside bend at both ends of the chain. The chain configuration can be fixed using hooped clamps that are available in different sizes. Material: Galvanised steel

Please indicate chain type and inside width when ordering.

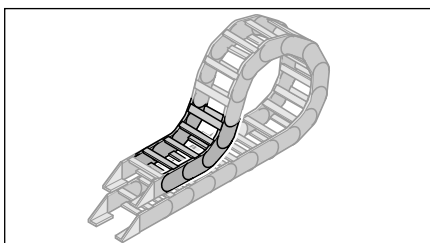
Back radius



Rotary movement

| Type | Order no. | Radius | Back Radius | Pack |
|----------------------|-------------|--------|-------------|------|
| SR 41.2 (RÜ200/R125) | 41200009060 | 125 mm | 200 mm | 1 |
| SR 41.2 (RÜ200/R160) | 41200012060 | 160 mm | 200 mm | 1 |
| SR 41.2 (RÜ200/R175) | 41200015060 | 175 mm | 200 mm | 1 |
| SR 41.2 (RÜ200/R200) | 41200020060 | 200 mm | 200 mm | 1 |
| SR 41.2 (RÜ200/R250) | 41200025060 | 250 mm | 200 mm | 1 |
| SR 41.2 (RÜ200/R300) | 41200030060 | 300 mm | 200 mm | 1 |
| SR 41.2 (RÜ200/R350) | 41200035060 | 350 mm | 200 mm | 1 |

Side links with forward radius (R) and back radius (Rü) permit movement in two directions. Areas of application include rotary movements and low-lying chain brackets.

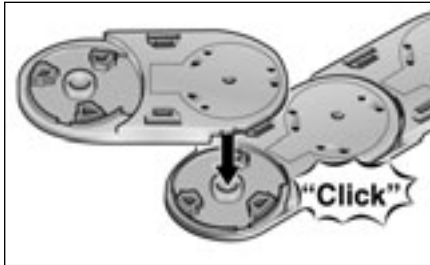


Low-lying chain bracket

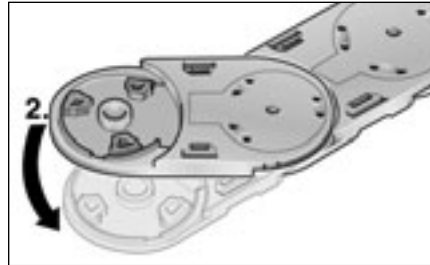


MP 41.2 - PowerLine 2nd generation

Assembly

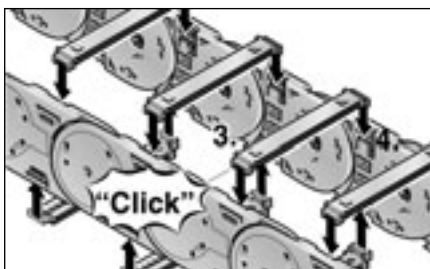


Step 1

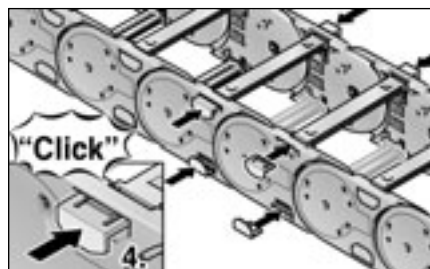


Step 2

The heavy-duty connection between the frame ridge and side wall has a positive fit. Both ends of the frame ridges are introduced evenly into the slots in the side links. The ridges are held secure by pressing in the frame ridge locks. Forces are transmitted solely through the slots on the frame ridge end or side link.

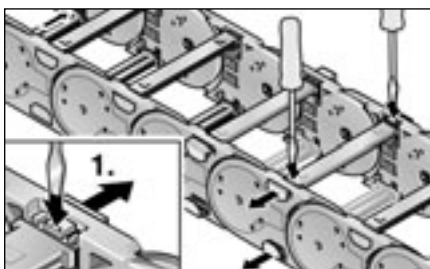


Step 3

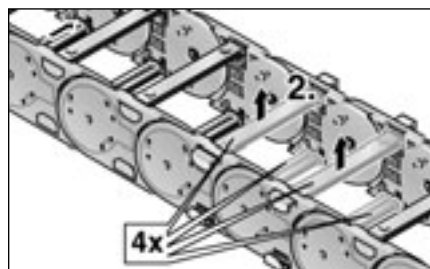


Step 4

Disassembly

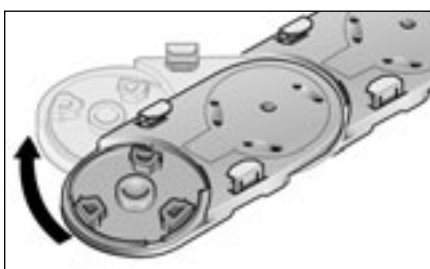


Step 1

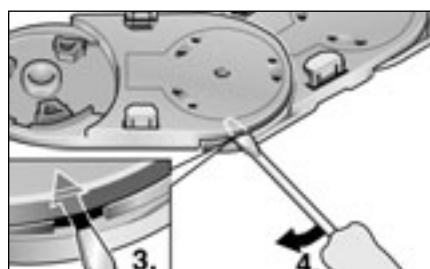


Step 2

Disassembly is effected in the reverse sequence to assembly. Loosen the locks until the frame ridges are released.



Step 3



Step 4