
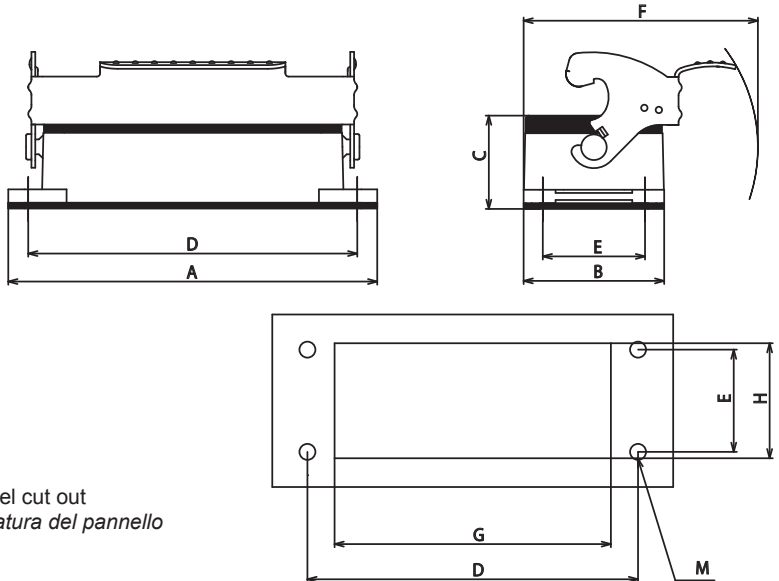


Bulkhead mounting housings Custodie da incasso		Size Grandezza	No. of poles No. poli §	Part No. Codice																																																																												
		6B "44 x 27"	6	7806.6401.0																																																																												
		10B "57 x 27"	10	7810.6403.0																																																																												
		16B "77 x 27"	16	7816.6405.0																																																																												
		24B "104 x 27"	24	7824.6407.0																																																																												
		32B "77 x 62"	32	7832.6409.0																																																																												
		48B "104 x 62"	48	7848.7440.0																																																																												
 <p>Panel cut out Foratura del pannello</p>																																																																																
<table border="1"> <thead> <tr> <th>Size B Grandezza B</th> <th>Poles Poli</th> <th>A</th> <th>B</th> <th>C</th> <th>D</th> <th>E</th> <th>F</th> <th>G</th> <th>H</th> <th>M</th> </tr> </thead> <tbody> <tr> <td>44x27</td> <td>6</td> <td>82</td> <td>44</td> <td>29.5</td> <td>70</td> <td>32</td> <td>73</td> <td>53</td> <td>36</td> <td>4.5</td> </tr> <tr> <td>57x27</td> <td>10</td> <td>95.5</td> <td>44</td> <td>29.5</td> <td>83</td> <td>32</td> <td>73</td> <td>66.5</td> <td>36</td> <td>4.5</td> </tr> <tr> <td>77x27</td> <td>16</td> <td>115.5</td> <td>44</td> <td>29.5</td> <td>103</td> <td>32</td> <td>73</td> <td>86.5</td> <td>36</td> <td>4.5</td> </tr> <tr> <td>104x27</td> <td>24</td> <td>142.5</td> <td>44</td> <td>29.5</td> <td>130</td> <td>32</td> <td>73</td> <td>113</td> <td>36</td> <td>4.5</td> </tr> <tr> <td>77x62</td> <td>32</td> <td>124.5</td> <td>84.5</td> <td>35.5</td> <td>110</td> <td>65</td> <td>116</td> <td>87.5</td> <td>76.5</td> <td>5.5</td> </tr> <tr> <td>104x62</td> <td>48</td> <td>169</td> <td>91</td> <td>40</td> <td>148</td> <td>70</td> <td>136.5</td> <td>122.5</td> <td>79.5</td> <td>5.5</td> </tr> </tbody> </table>	Size B Grandezza B	Poles Poli	A	B	C	D	E	F	G	H	M	44x27	6	82	44	29.5	70	32	73	53	36	4.5	57x27	10	95.5	44	29.5	83	32	73	66.5	36	4.5	77x27	16	115.5	44	29.5	103	32	73	86.5	36	4.5	104x27	24	142.5	44	29.5	130	32	73	113	36	4.5	77x62	32	124.5	84.5	35.5	110	65	116	87.5	76.5	5.5	104x62	48	169	91	40	148	70	136.5	122.5	79.5	5.5			
Size B Grandezza B	Poles Poli	A	B	C	D	E	F	G	H	M																																																																						
44x27	6	82	44	29.5	70	32	73	53	36	4.5																																																																						
57x27	10	95.5	44	29.5	83	32	73	66.5	36	4.5																																																																						
77x27	16	115.5	44	29.5	103	32	73	86.5	36	4.5																																																																						
104x27	24	142.5	44	29.5	130	32	73	113	36	4.5																																																																						
77x62	32	124.5	84.5	35.5	110	65	116	87.5	76.5	5.5																																																																						
104x62	48	169	91	40	148	70	136.5	122.5	79.5	5.5																																																																						
<p>- Types: STD For standard applications up to 500V for S-E, S-EAV, S-HSB, S-K inserts                  Tipo: STD per applicazioni standard fino a 500V per inserti S-E, S-EAV, S-HSB, S-K</p> <p>§ Number of poles with S-E inserts                  Numero di poli con inserti S-E</p>																																																																																

500V