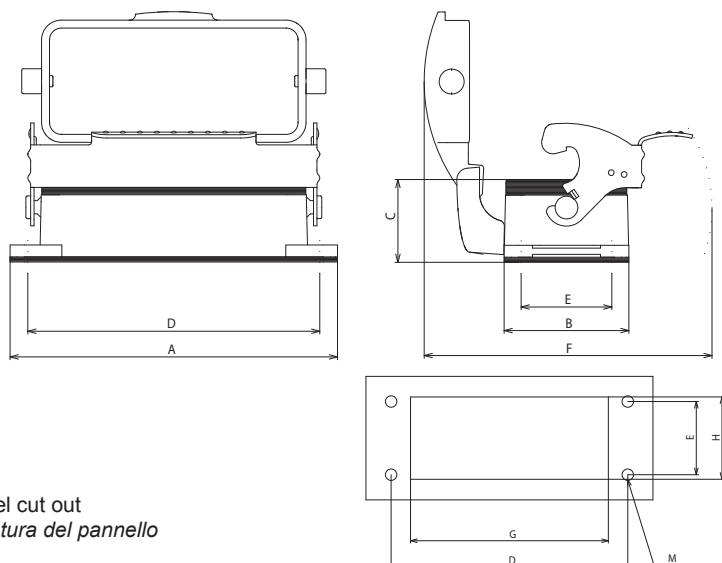


Bulkhead mounting housings with cover and one lever
Custodie da incasso con coperchio e una leva

Size Grandezza	No. of poles No. poli §	Part No. Codice
6B "44 x 27"	6	7806.6402.0
10B "57 x 27"	10	7810.6404.0
16B "77 x 27"	16	7816.6406.0
24B "104 x 27"	24	7824.6408.0
32B "77 x 62"	32	7832.6410.0
48B "104 x 62"	48	7848.6411.0



Panel cut out
 Foratura del pannello

Size B Grandezza B	Poles Poli	A	B	C	D	E	F	G	H	M
44x27	6	82	44	29.5	70	32	101	53	36	4.5
57x27	10	95.5	44	29.5	83	32	101	66.5	36	4.5
77x27	16	115.5	44	29.5	103	32	101	86.5	36	4.5
104x27	24	142.5	44	29.5	130	32	101	113	36	4.5
77x62	32	124.5	84.5	35.5	110	65	146	87.5	76.5	5.5
104x62	48	169	91	40	148	70	174.5	122.5	79.5	5.5

- Metal cover with stainless steel spring, screw and pegs,
Coperchio metallico con molla, viti e perni in acciaio inox.
- Types: STD For standard applications up to 500V for S-E, S-EAV, S-HSB, S-K inserts
Tipo: STD per applicazioni standard fino a 500V per inserti S-E, S-EAV, S-HSB, S-K

§ Number of poles with S-E inserts
 Numero di poli con inserti S-E