
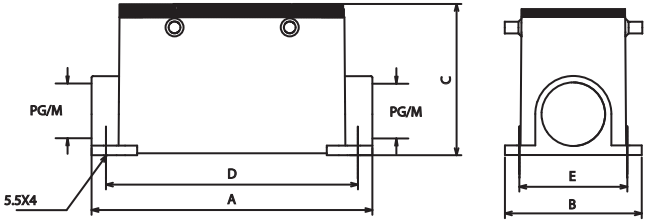


| Surface mounting housings Custodie da parete | | Size Grandezza | Thread Filettatura | No. of poles No. poli § | Part No. Codice |
|--|----------------|-------------------|-----------------------|----------------------------|--------------------|
|   | 10B "57 x 27" | M 20 | 10 | 7810.5001.0 | |
| | 10B "57 x 27" | M 20X2 | 10 | 7810.5002.0 | |
| | 10B "57 x 27" | Pg 16 | 10 | 7810.5003.0 | |
| | 10B "57 x 27" | Pg 16X2 | 10 | 7810.5004.0 | |
| | 16B "77 x 27" | M 25 | 16 | 7816.5005.0 | |
| | 16B "77 x 27" | M 25X2 | 16 | 7816.5006.0 | |
| | 16B "77 x 27" | Pg 21 | 16 | 7816.5007.0 | |
| | 16B "77 x 27" | Pg 21X2 | 16 | 7816.5008.0 | |
| | 24B "104 x 27" | M 25 | 24 | 7824.5009.0 | |
| | 24B "104 x 27" | M 25X2 | 24 | 7824.5010.0 | |
| | 24B "104 x 27" | Pg 21 | 24 | 7824.5011.0 | |
| | 24B "104 x 27" | Pg 21X2 | 24 | 7824.5012.0 | |
| | 32B "77 x 62" | M 40 | 32 | 7832.5013.0 | |
| | 32B "77 x 62" | M 40X2 | 32 | 7832.5014.0 | |
| | 32B "77 x 62" | M 50 | 32 | 7832.5015.0 | |
| | 32B "77 x 62" | M 50X2 | 32 | 7832.5016.0 | |
| | 32B "77 x 62" | Pg 29 | 32 | 7832.5017.0 | |
| | 32B "77 x 62" | Pg 29X2 | 32 | 7832.5018.0 | |
| | 32B "77 x 62" | Pg 36 | 32 | 7832.5019.0 | |
| | 32B "77 x 62" | Pg 36X2 | 32 | 7832.5020.0 | |
| | 32B "77 x 62" | Pg 42 | 32 | 7832.5021.0 | |
| | 32B "77 x 62" | Pg 42X2 | 32 | 7832.5022.0 | |

| Size B Grandezza B | Poles Poli | A | B | C | D | E |
|-----------------------|---------------|-------|------|------|-----|----|
| 57x27 | 10 | 97 | 57 | 57 | 82 | 40 |
| 77x27 | 16 | 117 | 57 | 63 | 105 | 45 |
| 104x27 | 24 | 143.5 | 57 | 63 | 132 | 45 |
| 77x62 | 32 | 125 | 84.5 | 87.5 | 112 | 67 |

- 1 entry or 2 entries
 1 o 2 ingressi

- Types: STD For standard applications up to 500V for S-E, S-HSB, S-K inserts
 Tipo: STD per applicazioni standard fino a 500V per inserti S-E, S-HSB, S-K.

§ Number of poles with S-E inserts
 Numero di poli con inserti S-E

500V